

# EACIL67

## IoT Gateway mini PC with Intel® Celeron® N3350



### KEY FEATURES

- Intel® Apollo Lake N3350, 1.1 GHz
- Full IP67, IoT Gateway mini PC
- USB Type-C Port featuring Alt Mode: DP A/V output, USB Data, Power Delivery
- Fanless cooling system
- Suitable for smart factory and outdoor applications



### SPECIFICATIONS

System Specification			
<b>Processor</b>	Intel® Celeron® N3350 (2M Cache, up to 2.4 GHz) Intel® Pentium® N4200 (2M Cache, up to 2.5 GHz) (Optional)	<b>Memory</b>	4GB LPDDR3 1866 MHz
<b>Storage</b>	eMMC: Onboard 64 GB mSATA SSD 64GB (Optional)	<b>Ethernet controller</b>	2 x Intel® Ethernet Controller I210-AT
<b>Security</b>	TPM 2.0	<b>Operating System</b>	Windows 10 IoT Enterprise (Optional) Linux Ubuntu 18.04 (Optional)
<b>WLAN</b>	Support (Optional)	<b>BT</b>	Support (Optional)
Mechanical			
<b>Dimension</b>	100 x 115 x 31 mm	<b>Mounting</b>	Desk Mounting & Wall Mounting VESA Mounting (Optional)
<b>Enclosure</b>	Metal Housing	<b>Cooling System</b>	Fanless design
Environment			
<b>Operating Humidity</b>	10% to 90% (non-condensing)	<b>Operating Temperature</b>	-20~60°C
<b>Storage Temperature</b>	-30~70°C	<b>Shock</b>	Operating, IEC 60068-2-27
<b>Vibration</b>	Operating, IEC 60068-2-64	<b>IP rating</b>	IP67
Certification			
<b>Certification</b>	CE, FCC		
IO Ports			
<b>Power Input</b>	1 x 9~36V DC, M12 Waterproof Connector	<b>USB Port</b>	1 x M12 Waterproof USB2.0 1 x M12 Waterproof USB Type-C[Alt Mode]: -Display Port A/V output(Support max resolution 3840 x 2160@60Hz) -USB data -Power Delivery up to 15W(5V/3A)
<b>Expansion Port</b>	mPCIe: 1 x Full-size mPCIe slot	<b>LAN</b>	2 x Waterproof Giga LAN RJ45 Connector
<b>Indicator</b>	1 x LED Indicator for power	<b>mini PCIe</b>	1 x Mini PCIe
Accessory			
<b>Accessory</b>	Quick Start Guide Driver CD		

M12 to Open Wire DC Cable  
 WLAN External Antenna (For EACIL67-101-A464)

VESA Mount Kit (Optional)  
 M12 to Open wire DC with CANBUS Cable (Optional)  
 Waterproof USB Type-C to Standard USB Type-C Cable (Optional)  
 Waterproof USB Type-C to Lockable USB Type-C Cable (Optional)  
 Waterproof RJ45 LAN to Standard RJ45 LAN Cable (Optional)  
 Waterproof USB Type-A male to Standard USB Type-A female Cable (Optional)

**Power**

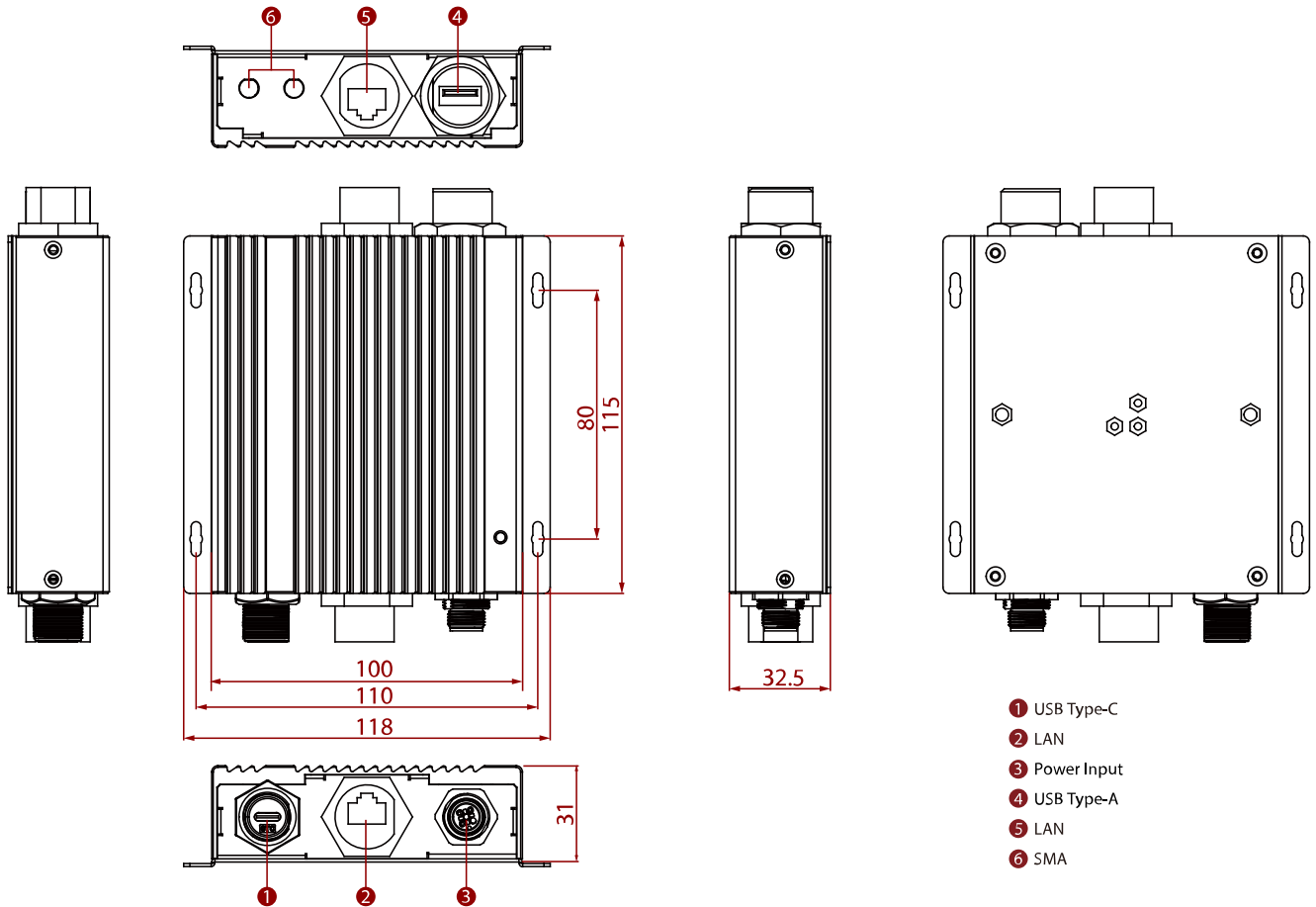
**Power Rating** 9V~36V DC, 2-Pin Terminal Block **Adapter** 12V 36W

**Ordering Information**

**Option** EACIL67-101-A464 (With WLAN) (Optional)  
 EACIL67-104-A464 (With 1-port isolation CANBUS) (Optional)

**DIMENSIONS** UNIT:MM

**Winmate IoT Gateway EAC Mini Full IP67 EACIL67**



**NOTE**

1. This is a simplified drawing and some components are not marked in detail.
2. Please contact our sales representative if you need further product information.
3. The product shown in this datasheet is a standard model. For diagrams that contain customized or optional I/O, please contact the Winmate Sales Team for more information.