

# IK32

## Intel® Core™ i5-7200U single computer board



### KEY FEATURES

- 3.5" Form Factor (146mm x 102mm), single computer board
- Intel® Core™ i5-7200U Processor
- Intel® SoC Integrated
- One DDR4-2133 SO-DIMM RAM
- Intel Gigabit-LAN Controller I211AT + PHY I219LM
- 2 x SATA III, 5 x COM, 2 x USB 3.0, 4 x USB 2.0
- 1 x M.2 2242 Key B Slot (for SATA III SSD)
- 1 x M.2 2230 Key E Slot (for PCIe + USB 2.0 Wireless Module)
- 1 x HDMI



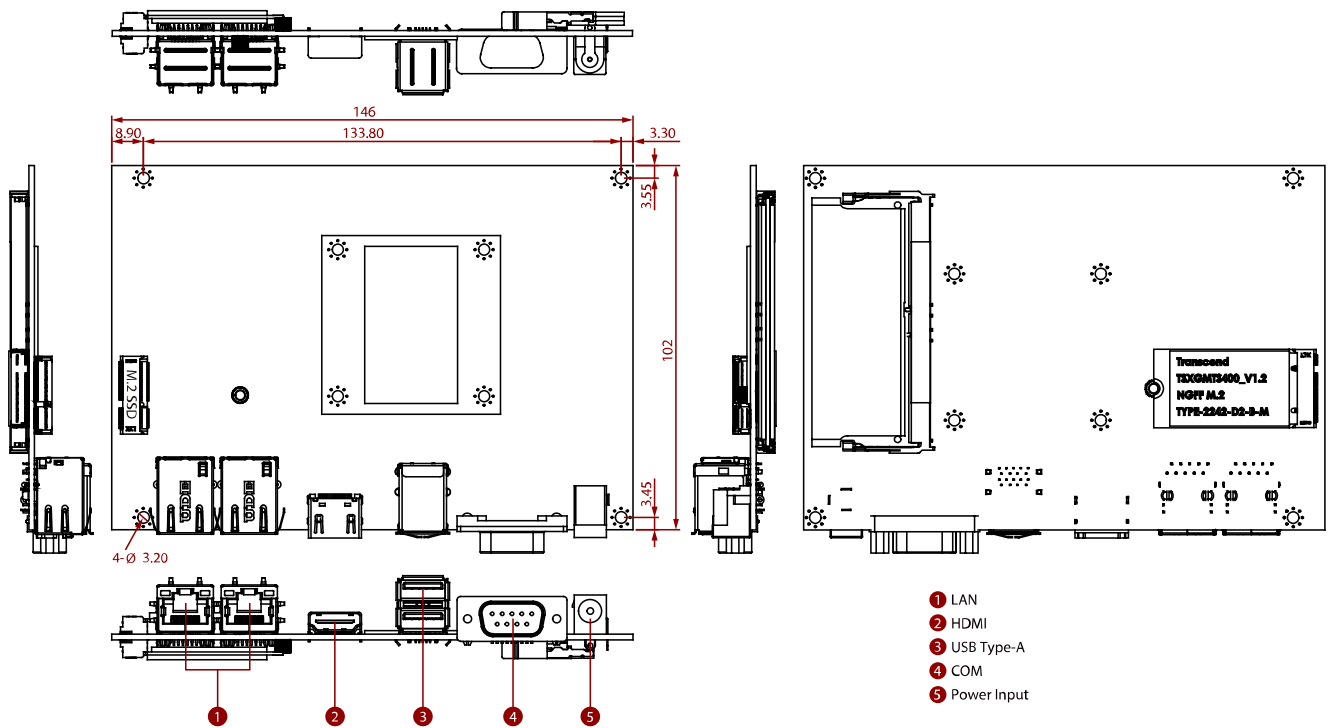
### SPECIFICATIONS

System Specification			
<b>Processor</b>	Intel® Core™ i5-7200U (3M Cache, up to 3.10 GHz) Intel® Core™ i5-7300U (3M Cache, up to 3.50 GHz)	<b>Memory</b>	1 x SO-DIMM, DDR4 2133 MHz, 4GB 8GB (Optional) 16GB (Optional)
<b>Storage</b>	1 x M.2 2242 SSD 64GB M.2 2242 SSD up to 512GB (Optional)	<b>Ethernet controller</b>	Intel® Ethernet Controller I211-AT + Intel® Ethernet Connection I219-LM
<b>Security</b>	TPM 2.0	<b>Operating System</b>	Windows 10 IoT Enterprise (Optional) Linux Ubuntu 18.04 (Optional)
IO Ports			
<b>Power Input</b>	1 x 12V DC, 2.5φ DC jack	<b>USB Port</b>	2 x USB3.0 (Type-A)
<b>Serial Port</b>	1 x RS232/422/485 (Default RS232)	<b>Video</b>	1 x HDMI 1.4 (Optional)
<b>Expansion Port</b>	1 x M.2 2242 Key B slot for SSD 1 x M.2 2230 Key E slot for WiFi (Optional)	<b>LAN</b>	2 x Giga LAN RJ45 Connector
Internal IO Ports			
<b>Power input</b>	1 x 2pin(1x2) for 12V DC in 1 x 4pin(1x4) for 12V DC in	<b>Power output</b>	1 x 2pin(1x2) blue wafer for 3.3V DC out 1 x 2pin(1x2) red wafer for 5V DC out 1 x 2pin(1x2) yellow wafer for 12V DC out
<b>USB</b>	2 x 8pin(2x4) for 4 x USB 2.0	<b>Serial port</b>	4 x 10pin(2x5) for RS232
<b>Display</b>	1 x 40pin DF13 connector for LVDS 1 x 30pin DF13 connector for eDP (Optional) 1 x 10pin(2x5) for VGA (Optional)	<b>Backlight</b>	1 x 7pin(1x7) for panel backlight
<b>SATA</b>	2 x SATA III 1 x 8pin(2x4) for SATA power	<b>DIDO</b>	1 x 14pin(2x7) for Digital input/output
<b>VR</b>	1 x 3pin(1x3) for Digital panel backlight brightness control 1 x 3pin(1x3) VR/Software brightness switch jumper 1 x 3pin(1x3) PWM/DC brightness switch jumper 1 x 3pin(1x3) 3.3V/5V PWM Level switch jumper	<b>Fan</b>	1 x 3pin(1x3) for CPU Fan
<b>OSD</b>	1 x 10pin(2x5) for OSD control	<b>Speaker</b>	2 x 2pin(1x2) for Speaker
<b>Backup battery</b>	1 x 2pin(1x2) for RTC battery	<b>Audio</b>	1 x 12pin(2x6) for Line in/Line out/ Mic in
<b>BIOS debug</b>	1 x 10pin(2x5) for LPC debug		
Certification			
<b>Certification</b>	CE, FCC		

Mechanical			
Dimension	146 x 102 mm		
Environment			
Operating Humidity	60 °C @ 95% RH, (non-condensing)	Operating Temperature	0~60°C
Storage Temperature	-40~70°C		
Accessory			
Accessory	Manual & Driver CD		

## DIMENSIONS UNIT:MM

### Winmate 3.5" x86 Embedded Board IK32



## NOTE

1. This is a simplified drawing and some components are not marked in detail.
2. Please contact our sales representative if you need further product information.
3. All specifications are subject to change without prior notice.
4. The product shown in this datasheet is a standard model. For diagrams that contain customized or optional I/O, please contact the Winmate Sales Team for more information.