

IV32

Intel® Core™ i7-3517UE x86 Embedded Board



KEY FEATURES

- 3.5" Form Factor (146mm x 102mm)
- Intel® Celeron® 1037U 1.8GHz
- Intel® Express Chipset HM76
- Integrated VGA, Dual-channel 18/24-bit LVDS, HDMI
- 1 x DDR3 SO-DIMM 1333/1600 MHz, max. 8GB
- Integrated Intel® 82579-LM + WG82574L Ethernet
- Supports 2 x SATA III, 4 x COM, 3 x USB 3.0, 4 x USB 2.0 12 x GPIO, 1 x 1394b, 1 x Mini PCIe slot

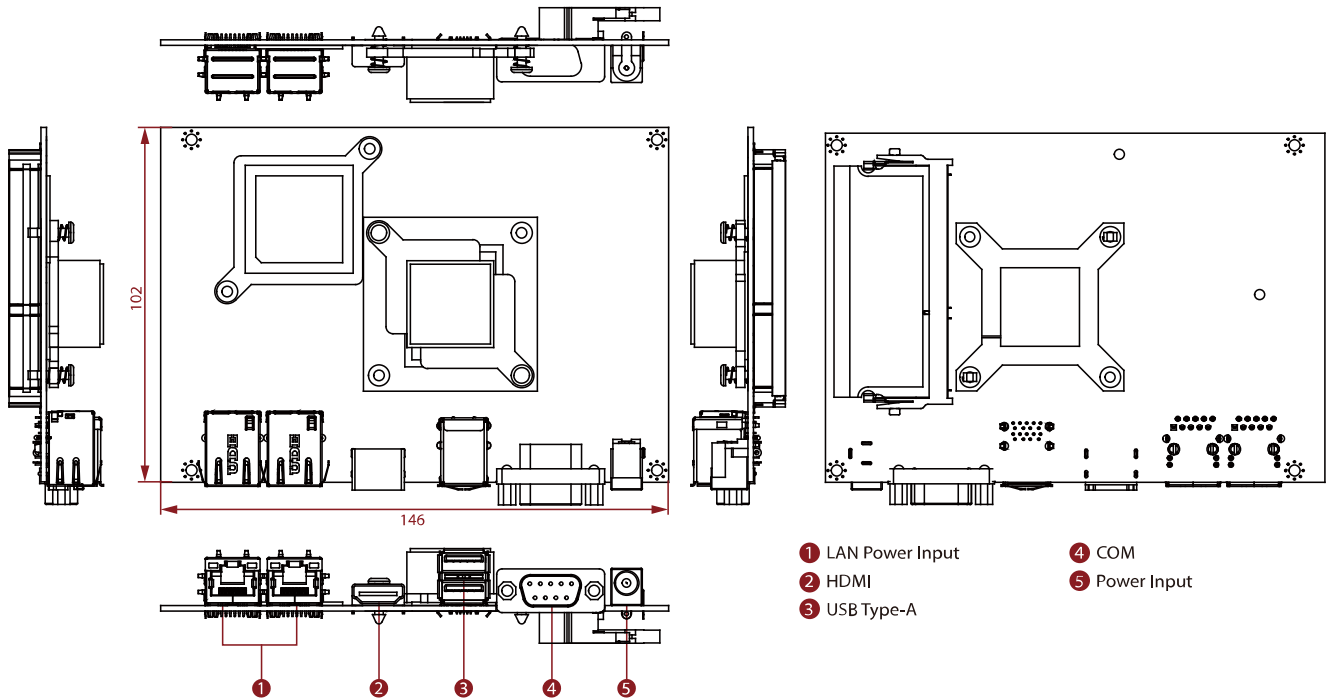


SPECIFICATIONS

System Specification			
Processor	Intel® Core™ i7-3517UE (4M Cache, up to 2.80 GHz)	Chipset	Intel® HM76
Memory	1 x SO-DIMM, DDR3L 1600 MHz, 4GB 8GB (Optional)	Storage	1 x mSATA SSD 64GB mSATA SSD up to 512GB (Optional)
Ethernet controller	Intel® 82574L Gigabit Ethernet Controller + Intel® 82579LM Gigabit Ethernet PHY	Security	TPM 1.2
Operating System	Windows 7 Embedded Systems (Optional) Windows 10 IoT Enterprise (Optional) Linux Ubuntu 18.04 (Optional)		
IO Ports			
Power Input	1 x 12V DC, 2.5φ DC jack	USB Port	2 x USB3.0 (Type-A)
Serial Port	1 x RS232/422/485 (Default RS232)	Video	1 x HDMI 1.4 (Optional)
LAN	2 x Giga LAN RJ45 Connector		
Internal IO Ports			
Power output	1 x 2pin(1x2) blue wafer for 3.3V DC out 1 x 2pin(1x2) red wafer for 5V DC out 1 x 2pin(1x2) yellow wafer for 12V DC out	USB	2 x 8pin(2x4) for 4 x USB 2.0 1 x 10pin(2x5) for 1 x USB 3.0
Serial port	3 x 10pin(2x5) for RS232	Display	1 x 40pin DF13 connector for LVDS 1 x 20pin DF13 connector for HDMI/DVI (Optional) 1 x 10pin(2x5) for VGA (Optional)
Backlight	1 x 7pin(1x7) for panel backlight	SATA	1 x SATA III 1 x SATA II 1 x 8pin(2x4) for SATA power
DIDO	1 x 14pin(2x7) for Digital input/output	VR	1 x 3pin(1x3) for Digital panel backlight brightness control 1 x 5pin(1x5) VRD debug port
Fan	1 x 3pin(1x3) for CPU Fan	OSD	1 x 10pin(2x5) for OSD control
Speaker	2 x 2pin(1x2) for Speaker	Backup battery	1 x 2pin(1x2) for RTC battery
Audio	1 x 12pin(2x6) for Line in/Line out/ Mic in	BIOS debug	1 x 10pin(2x5) for LPC debug
Certification			
Certification	CE, FCC		
Mechanical			
Dimension	146 x 102 mm		

Environment			
Operating Humidity	60 °C @ 95% RH, (non-condensing)	Operating Temperature	0~60°C
Storage Temperature	-40~70°C		
Accessory			
Accessory	Manual & Driver CD		

DIMENSIONS UNIT:MM



NOTE

1. This is a simplified drawing and some components are not marked in detail.
2. Please contact our sales representative if you need further product information.
3. All specifications are subject to change without prior notice.
4. The product shown in this datasheet is a standard model. For diagrams that contain customized or optional I/O, please contact the Winmate Sales Team for more information.