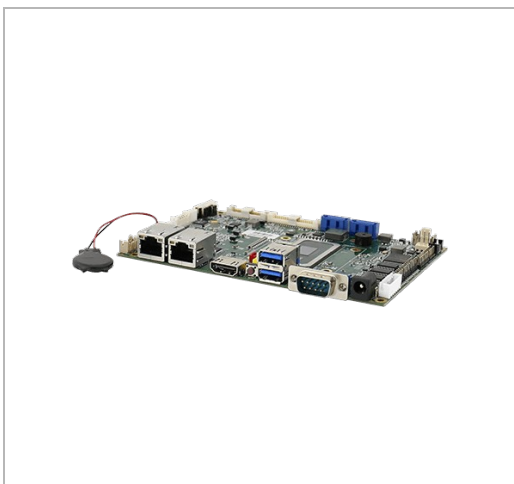


IW32

Intel® Core™ i5-8265U x86 Embedded motherboard



KEY FEATURES

- 3.5" Form Factor (146mm x 102mm), x86 Embedded motherboard
- Intel® Core™ i5-8265U Processor
- One DDR4-2400 SO-DIMM RAM
- Intel® Gigabit-LAN Controller I210AT + PHY I219LM
- 2 x SATA III, 4 x COM, 2 x USB 3.2 Gen.1.4 x USB 2.0
- 1 x M.2 Key M Slot for M.2 2242 SATA III SSD Optional M.2 2280 NVME SSD
- 1 x M.2 2230 Key E Slot (for Wireless Module)
- 1 x HDMI(Optional)

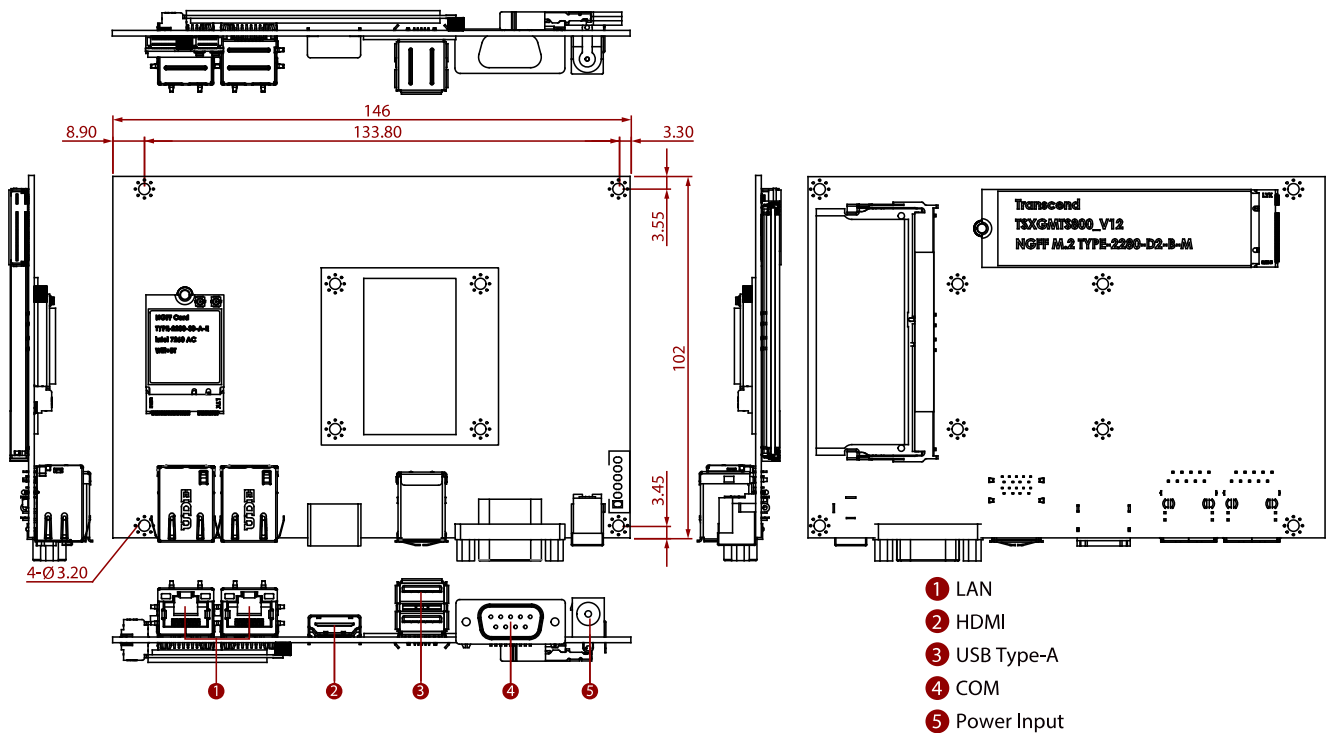


SPECIFICATIONS

System Specification			
Processor	Intel® Core™ i5 -8265U (6M Cache, 1.6GHz up to 3.9 GHz)	Memory	1 x SO-DIMM, DDR4 2400 MHz, 4GB 8GB (Optional) 16GB (Optional) 32GB (Optional)
Storage	1 x M.2 2242 B-key SSD 64GB M.2 2242 B-key SSD up to 512GB (Optional) M.2 2280 M-Key NVME SSD, up to 4TB (Optional)	Ethernet controller	Intel® Ethernet Controller I210-AT + Intel® Ethernet Connection I219-LM
Security	TPM 2.0	Operating System	Windows 10 IoT Enterprise (Optional) Linux Ubuntu 18.04 (Optional)
IO Ports			
Power Input	1 x 12V DC, 2.5φ DC jack	USB Port	2 x USB3.2 Gen.1 (Type-A)
Serial Port	1 x RS232/422/485 (Default RS232)	Video	1 x HDMI 1.4 (Optional)
Expansion Port	1 x M.2 2242/2280 Key M slot for SATA/NVMe SSD 1 x M.2 2230 Key E slot for WiFi (Optional)	LAN	2 x Giga LAN RJ45 Connector
Internal IO Ports			
Power input	1 x 2pin(1x2) for 12V DC in 1 x 6pin(1x6) for 12V DC in	Power output	1 x 2pin(1x2) blue wafer for 3.3V DC out 1 x 2pin(1x2) red wafer for 5V DC out 1 x 2pin(1x2) yellow wafer for 12V DC out
USB	2 x 8pin(2x4) for 4 x USB 2.0	Serial port	3 x 10pin(2x5) for RS232
Display	1 x 40pin DF13 connector for LVDS 1 x 30pin DF13 connector for eDP (Optional)	Backlight	1 x 7pin(1x7) for panel backlight
SATA	2 x SATA III 1 x 8pin(2x4) for SATA power	DIDO	1 x 14pin(2x7) for Digital input/output
VR	1 x 3pin(1x3) for Digital panel backlight brightness control 1 x 3pin(1x3) VR/Software brightness switch jumper 1 x 3pin(1x3) PWM/DC brightness switch jumper 1 x 3pin(1x3) 3.3V/5V PWM Level switch jumper	Fan	1 x 3pin(1x3) for CPU Fan
OSD	1 x 10pin(2x5) for OSD control	Speaker	2 x 2pin(1x2) for Speaker
Backup battery	1 x 2pin(1x2) for RTC battery	Audio	1 x 12pin(2x6) for Line in/Line out/ Mic in
Certification			
Certification	CE, FCC		

Mechanical			
Dimension	146 x 102 mm		
Environment			
Operating Humidity	60 °C @ 95% RH, (non-condensing)	Operating Temperature	0~60°C
Storage Temperature	-40~70°C		
Accessory			
Accessory	Manual & Driver CD		
Power			
Power Rating	12V DC	Adapter	12V 50W

DIMENSIONS UNIT:MM



NOTE

1. This is a simplified drawing and some components are not marked in detail.
2. Please contact our sales representative if you need further product information.
3. All specifications are subject to change without prior notice.
4. The product shown in this datasheet is a standard model. For diagrams that contain customized or optional I/O, please contact the Winmate Sales Team for more information.