

# R08IB3S-IPU1

## 8.4" Intel® Celeron® N2930 Front IP65 Panel PC



### KEY FEATURES

- 8.4" TFT SVGA LCD
- Intel® Celeron® N2930 Quad Core 1.83 GHz Processor
- SO-DIMM DDR3L 1600, max. 8 GB
- Integrated VGA, Dual-channel 24-bit LVDS, HDMI (Optional)
- 2 x Gigabit Ethernet
- 1 x SATA, 1 x USB 2.0, 1 x USB 3.0, 1 x HDMI (Optional), 2 x COM, 1 x Mini PCIe slot

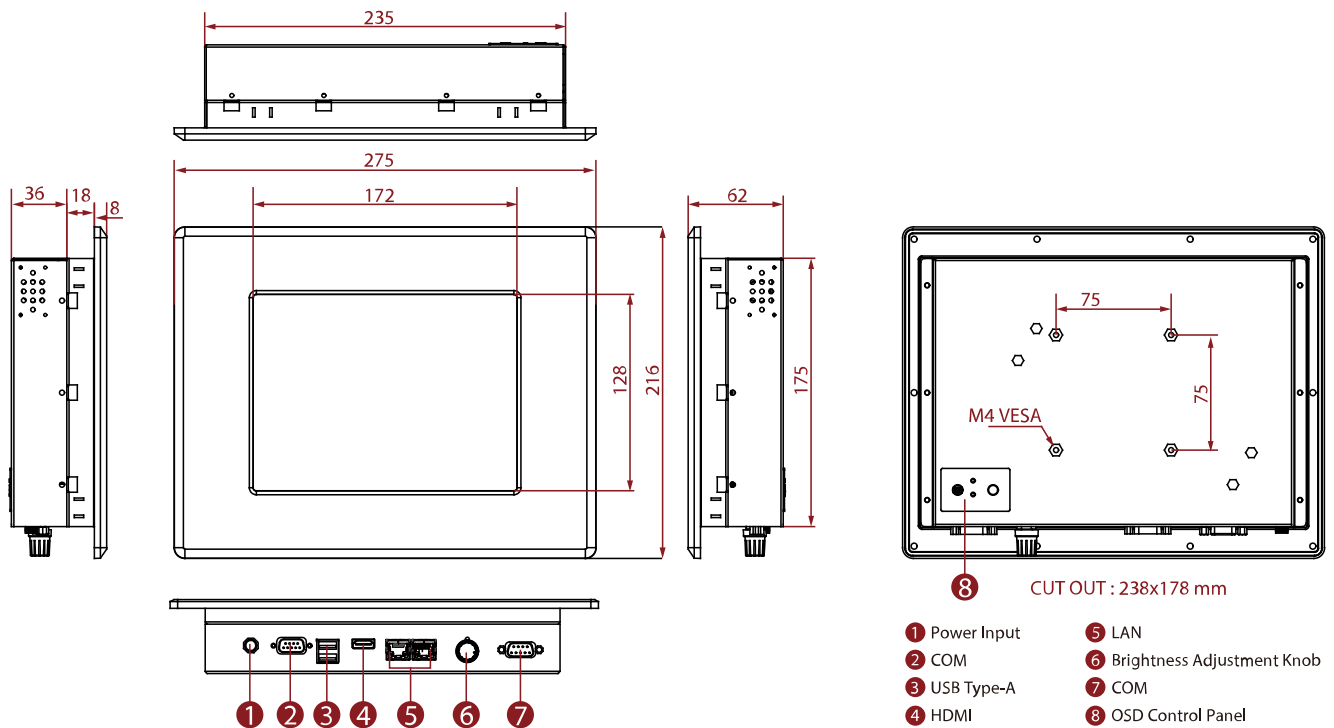


### SPECIFICATIONS

Display			
<b>Resolution</b>	800x600	<b>Size</b>	8.4 inches
<b>Contrast Ratio</b>	600:1	<b>Panel Brightness</b>	600 nits
<b>View Angles</b>	75,75,60,70	<b>Active Area</b>	170.4x127.8 mm
<b>Touch / Glass</b>	Resistive Touch Screen Protection Glass Without Touch Function (Optional)		
System Specification			
<b>Processor</b>	Intel® Celeron® N2930 (2M Cache, up to 2.16 GHz)	<b>Memory</b>	1 x SO-DIMM, DDR3L 1600 MHz, 4GB 8GB (Optional)
<b>Storage</b>	1 x mSATA SSD 64GB. mSATA SSD up to 512GB. (Optional)	<b>Ethernet controller</b>	2 x Intel® Ethernet Controller I210-AT
<b>Operating System</b>	Windows 7 Embedded Systems (Optional) Windows 10 IoT Enterprise (Optional) Linux Ubuntu 18.04 (Optional)	<b>WLAN</b>	Support (Optional)
<b>BT</b>	Support (Optional)		
Mechanical			
<b>Dimension</b>	275 x 216 x 62 mm	<b>Mounting</b>	Panel mount VESA Mount
<b>Enclosure</b>	Metal Housing	<b>Cooling System</b>	Fanless design
<b>Cut out</b>	212x154mm		
Environment			
<b>Operating Humidity</b>	10% to 90% (non-condensing)	<b>Operating Temperature</b>	0~50°C
<b>Storage Temperature</b>	-20~60°C	<b>IP rating</b>	Front IP65
Certification			
<b>Certification</b>	CE, FCC		
IO Ports			
<b>Power Input</b>	1 x 12V DC, 2.5φ DC jack	<b>USB Port</b>	1 x USB3.0 (Type-A) 1 x USB2.0 (Type-A)
<b>Serial Port</b>	1 x RS232/422/485 (Default RS232) 1 x RS232	<b>Video</b>	1 x HDMI 1.4 (Optional)

<b>Audio</b>	2 x Speaker	<b>Expansion Port</b>	1 x mPCIe slot(for half size Wifi module)
<b>LAN</b>	2 x Giga LAN RJ45 Connector	<b>Indicator</b>	1 x LED Indicator for power 1 x LED Indicator for storage
<b>Brightness Knob</b>	1 x Brightness Adjustment Knob	<b>mini PCIe</b>	1 x Mini PCIE(For WLAN)
<b>Control</b>			
<b>Button</b>	1 x Power Button 1 x Reset Button		
<b>Accessory</b>			
<b>Accessory</b>	100~240V AC to DC Adapter Power Cord Driver CD & Manual VESA screws Mounting clips		
<b>Power</b>			
<b>Power Rating</b>	12V DC	<b>Adapter</b>	12V 50W

## DIMENSIONS UNIT:MM



## NOTE

1. This is a simplified drawing and some components are not marked in detail.
2. Please contact our sales representative if you need further product information.
3. All specifications are subject to change without prior notice.
4. The product shown in this datasheet is a standard model. For diagrams that contain customized or optional I/O, please contact the Winmate Sales Team for more information.