

# R10IB3S-SPT2

## 10.4" Intel® Celeron® N2930 IP65 Stainless PCAP Chassis Panel PC



### KEY FEATURES

- Intel® Celeron® Bay Trail-M N2930 1.83GHz Processor
- SUS 316/ AISI 316 stainless steel for food and chemical industries
- Sealed to IP65 for protection against water and dust
- A true flat, easy-to-clean front surface with edge-to-edge design
- Flat multi-touch panel pc with superior readability and P-Cap technology
- Various mounting solutions, Yoke mount and VESA mount
- Plenty of I/O s including USB 2.0, RS232 serial port and RJ45-10/100/1000 LAN ports
- Waterproof ports with adapter cables for external connectivity
- Support Glove / Rain mode
- Optical bonding (optional)

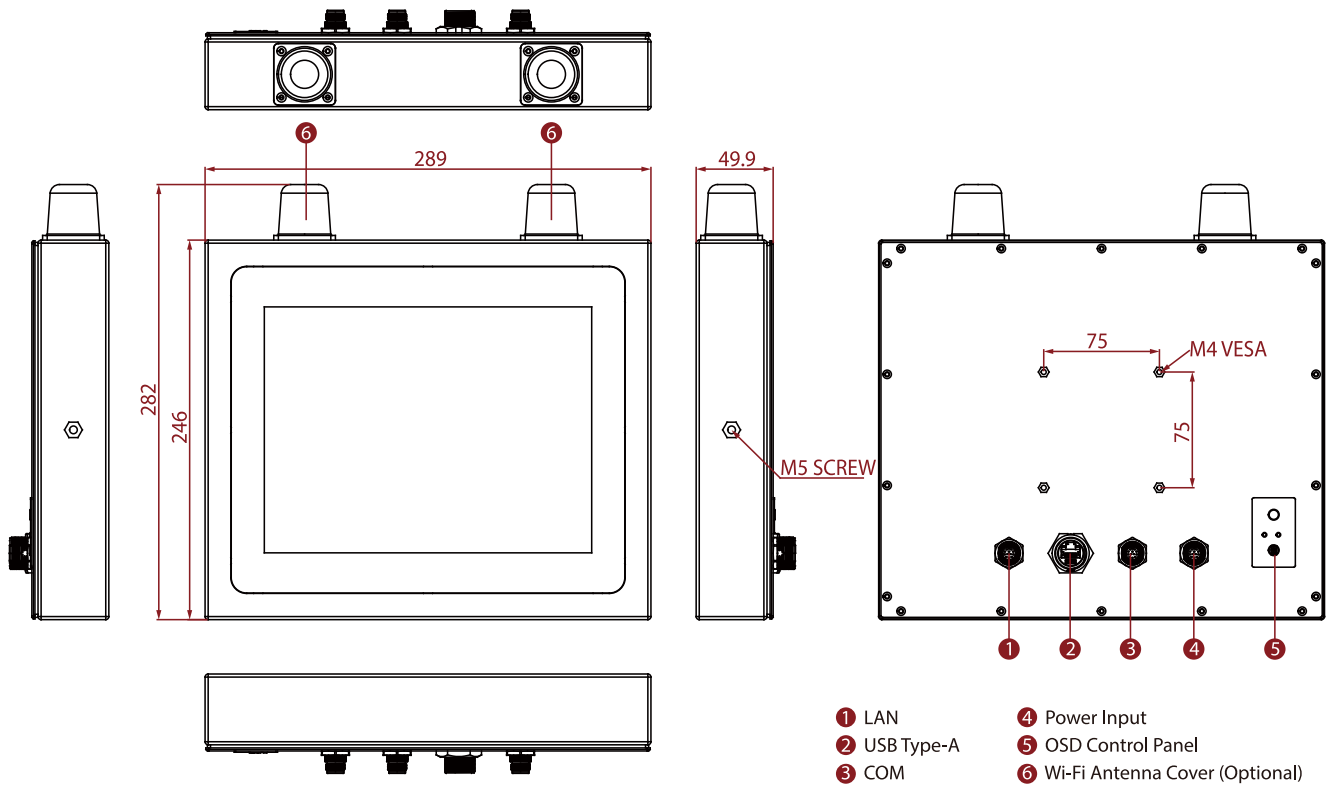


### SPECIFICATIONS

Display			
<b>Resolution</b>	1024x768	<b>Size</b>	10.4 inches
<b>Contrast Ratio</b>	1000:1	<b>Panel Brightness</b>	350 nits
<b>View Angles</b>	88,88,88,88	<b>Active Area</b>	210.4x157.8 mm
<b>Touch / Glass</b>	Projected Capacitive Multi Touch Screen		
System Specification			
<b>Processor</b>	Intel® Celeron® N2930 (2M Cache, up to 2.16 GHz)	<b>Memory</b>	1 x SO-DIMM, DDR3L 1600 MHz, 4GB 8GB (Optional)
<b>Storage</b>	1 x mSATA SSD 64GB. mSATA SSD up to 512GB. (Optional)	<b>Ethernet controller</b>	2 x Intel® Ethernet Controller I210-AT
<b>Operating System</b>	Windows 7 Embedded Systems (Optional) Windows 10 IoT Enterprise (Optional) Linux Ubuntu 18.04 (Optional)	<b>WLAN</b>	Support (Optional)
<b>BT</b>	Support (Optional)		
Mechanical			
<b>Dimension</b>	289 x 246 x 49.9 mm	<b>Mounting</b>	VESA Mount Yoke Mount
<b>Enclosure</b>	Stainless Housing	<b>Cooling System</b>	Fanless design
Environment			
<b>Operating Humidity</b>	10% to 90% (non-condensing)	<b>Operating Temperature</b>	0~45°C
<b>Storage Temperature</b>	-20~60°C	<b>IP rating</b>	IP65
Certification			
<b>Certification</b>	CE, FCC		
IO Ports			
<b>Power Input</b>	1 x M12 waterproof connector for 12V DC	<b>USB Port</b>	1x M12 waterproof connector for 2 x USB2.0
<b>Serial Port</b>	1 x M12 waterproof connector for RS232	<b>LAN</b>	1 x waterproof Giga LAN RJ45 connector

<b>Indicator</b>	1 x LED Indicator for power 1 x LED Indicator for storage
<b>Control</b>	
<b>Button</b>	1 x Power Button 1 x Reset Button
<b>Accessory</b>	
<b>Accessory</b>	100~240V AC to DC Adapter with waterproof connector Power Cord External USB cable with waterproof connector External COM cable with waterproof connector External LAN cable with waterproof connector Waterproof caps Driver CD & Manual VESAs screws
<b>Power</b>	
<b>Power Rating</b>	12V DC (M12 type)

## DIMENSIONS UNIT:MM



## NOTE

1. This is a simplified drawing and some components are not marked in detail.
2. The product shown in this datasheet is a standard model. For diagrams that contain customized or optional I/O, please contact the Winmate Sales Team for more information.
3. All specifications are subject to change without prior notice.