

# R10IW3S-VMT2(HB)

## 10.4" Intel® Core™ i5 G-WIN Vehicle Mount Panel PC



### KEY FEATURES

- 8th Generation (Whiskey Lake) Intel® Core™ i5-8265U 1.6GHz (turbo to 3.9GHz)
- High Quality 10.4" Panel, 1024 x 768 resolution
- Front IP65 Dust / Water Proof Enclosures (Except I/O parts)
- Aluminum Housing with Anti-Corrosion Treatments
- Anti-Shock and Vibration Standard according to MIL-STD-810 & IEC60068-2-27
- 5 Wire Resistive/ Anti-Reflective Protection Glass
- Optional GPS, WWAN/ WLAN (Either One). GPIO/ Canbus (Either One)
- Wide Range 9 to 36V DC Input with isolation
- Optional 6-60 V DC Input, and Optional for Ignition On/Off delay
- Compliance with EN50155 for EMC & Characteristic

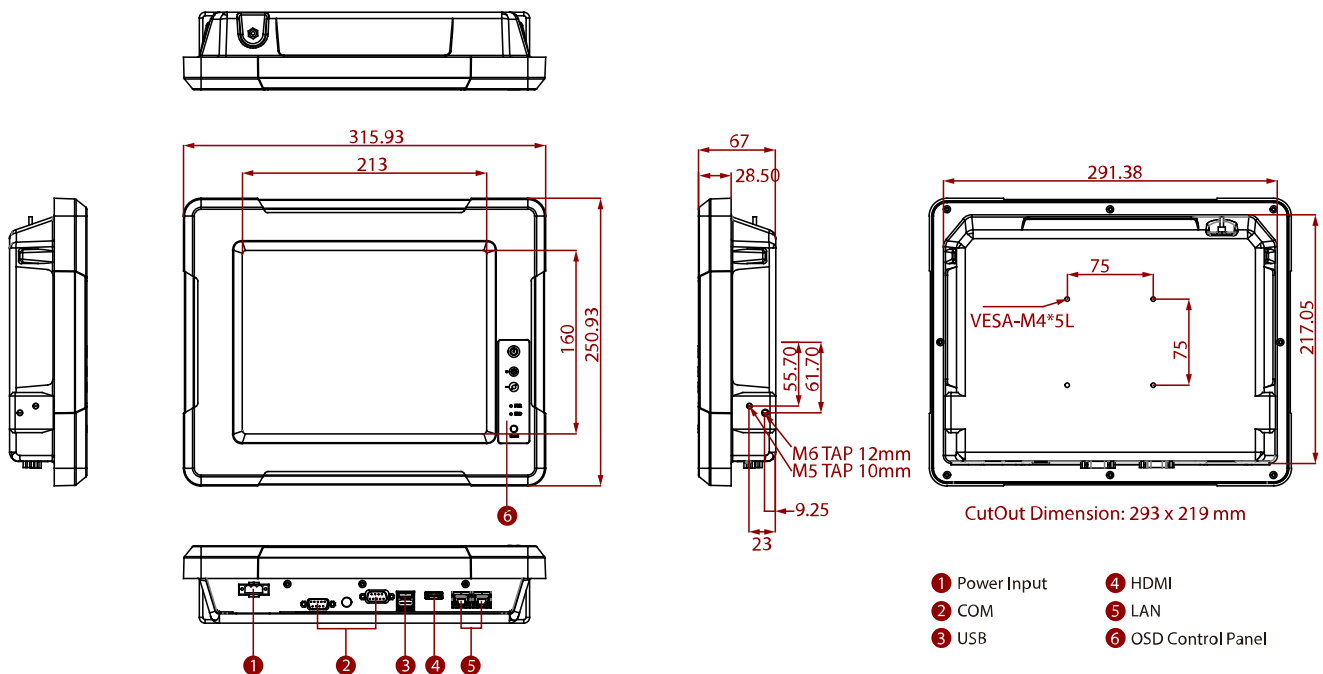


### SPECIFICATIONS

| System Specification       |   |                              |   |
|----------------------------|---|------------------------------|---|
| <b>WLAN</b>                | Support (Optional)  | <b>BT</b>                    | Support (Optional)  |
| <b>Processor</b>           | Intel® Core™ i5 -8265U (6M Cache, 1.6GHz up to 3.9 GHz)   | <b>Memory</b>                | 1 x SO-DIMM, DDR4 2400 MHz, 4GB<br>8GB (Optional)<br>16GB (Optional)<br>32GB (Optional) |
| <b>Storage</b>             | 1 x M.2 2242 B-key SSD 64GB<br>M.2 2242 B-key SSD up to 512GB (Optional)<br>M.2 2280 M-Key NVME SSD, up to 4TB (Optional) | <b>Ethernet controller</b>   | Intel® Ethernet Controller I210-AT +<br>Intel® Ethernet Connection I219-LM              |
| <b>Security</b>            | TPM 2.0   | <b>Operating System</b>      | Windows 10 IoT Enterprise (Optional)<br>Linux Ubuntu 18.04 (Optional)                   |
| Display                    |   |                              |   |
| <b>Resolution</b>          | 1024x768  | <b>Size</b>                  | 10.4 inches   |
| <b>Contrast Ratio</b>      | 1000:1  | <b>Panel Brightness</b>      | 350 nits  |
| <b>View Angles</b>         | 88,88,88,88   | <b>Active Area</b>           | 210.4x157.8 mm  |
| <b>Touch / Glass</b>       | Resistive Touch Screen<br>Protection Glass Without Touch Function (Optional)  | <b>Optional function</b>     | High brightness Panel for sunlight readable (Optional)                                  |
| Mechanical                 |   |                              |   |
| <b>Dimension</b>           | 315 x 250 x 67 mm   | <b>Mounting</b>              | VESA Mount<br>Yoke Mount  |
| <b>Enclosure</b>           | Aluminum Housing  | <b>Cooling System</b>        | Fanless design  |
| Environment                |   |                              |   |
| <b>Operating Humidity</b>  | 10% to 90% (non-condensing)   | <b>Operating Temperature</b> | -25~55°C  |
| <b>Storage Temperature</b> | -30~70°C  | <b>Shock</b>                 | 30g for 18ms, 300m/s <sup>2</sup>   |
| <b>Vibration</b>           | 1.60/1.96/2.18 g rms for XYZ / 5-500Hz  | <b>IP rating</b>             | Front IP65  |
| Certification              |   |                              |   |

|                       |  |                           |   |
|-----------------------|--|---------------------------|---|
| <b>Certification</b>  | CE, FCC  |                           |   |
| <b>IO Ports</b>       |  |                           |   |
| <b>Power Input</b>    | 1 x 9~36V DC, 3-Pin Terminal Block   | <b>USB Port</b>           | 2 x USB3.2 Gen.1 (Type-A)   |
| <b>Serial Port</b>    | 1 x RS232/422/485 (Default RS232)<br>1 x RS232   | <b>Video</b>              | 1 x HDMI 1.4 (Optional)   |
| <b>Expansion Port</b> | 2 x M.2 slot(1 for WiFi, 1 for SSD)  | <b>LAN</b>                | 2 x Giga LAN RJ45 Connector   |
| <b>Indicator</b>      | 1 x LED Indicator for power<br>1 x LED Indicator for storage                                   |                           |   |
| <b>Control</b>        |  |                           |   |
| <b>Button</b>         | 1 x Power Button<br>1 x Reset Button<br>1 x Brightness Up button<br>1 x Brightness Down button |                           |   |
| <b>Accessory</b>      |  |                           |   |
| <b>Accessory</b>      | Open Wire Cable with terminal block connector<br>Driver CD & Manual<br>VESA screws             | <b>Optional Accessory</b> | Yoke mount stand (Optional)<br>100~240V AC to DC Adapter with power cord (Optional) |

## DIMENSIONS UNIT:MM



## NOTE

1. This is a simplified drawing and some components are not marked in detail.
2. Windows 10 operating system requires installing a new version of BIOS and OS image.
3. Windows 7 does not support the TPM 2.0 function.
4. Weight of the device varies by configuration.
5. Please contact our sales representative if you need further product information.
6. All specifications are subject to change without prior notice.
7. The product shown in this datasheet is a standard model. For diagrams that contain customized or optional I/O, please contact the Winmate Sales Team for more information.