

# R10L100-MLT2

## 10.4" G-WIN Defence Display



### KEY FEATURES

- 10.4", 1024 x 768 resolution
- AR protection glass , 5-wire resistive touch screen(Optional)
- Compliant MIL-STD 810G/ MIL-STD 461E
- Convenient onscreen display controls
- Fanless design and efficient heat dissipation
- Power input 12 V DC military-grade connector (Optional 936 V DC wide range )
- Full IP65 dust and water proof enclosures, except I/O parts
- Supports VESA mount

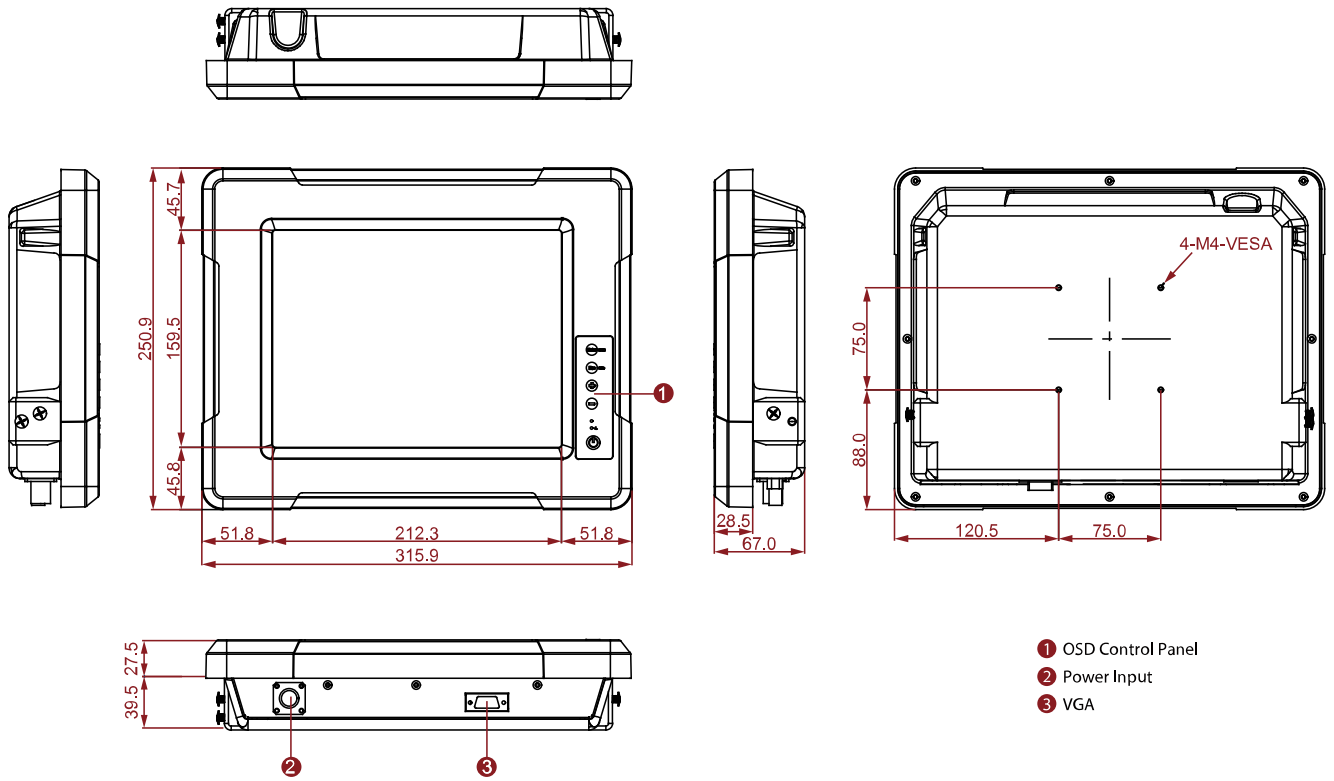


### SPECIFICATIONS

Display	
<b>Resolution</b>	1024x768
<b>Contrast Ratio</b>	1000:1
<b>Display Color</b>	16.2M Colors
<b>Active Area</b>	210.4x157.8 mm
<b>Size</b>	10.4 inches
<b>Panel Brightness</b>	350 nits
<b>View Angles</b>	88,88,88,88
<b>Touch / Glass</b>	AR Protection Glass 5 Wires Resistive Touch (Optional) 5 Wire Resistive with EMI Mesh Filter (Optional) EMI Glass (Optional)
Environment	
<b>Operating Humidity</b>	10% to 95% RH
<b>Storage Temperature</b>	-20°C~70°C
<b>Vibration</b>	Operating: 1.60/1.96/2.18 g rms for XYZ / 5-500Hz
<b>Operating Temperature</b>	-20°C~60°C
<b>Shock</b>	Operating:30g for 18ms
Compliance	
<b>MIL-STD 461E/F</b>	RE101 / RE102 CE101 / CE102 with EMI Glass / Touch(Optional) RS101 / RS 103 CS101 / CS 106 / CS 109 / CS 114 / CS 115 / CS 116
<b>MIL-STD 810F/G</b>	Vibration Method 514.5 Humidity Method 507.4 Transit Drop Method516.5
Certification	
<b>Certification</b>	CE, FCC
IO Ports	
<b>Serial Port</b>	1x RS232 for Touch Screen (Optional)
<b>Video</b>	1 x VGA HDMI (Optional)
Mechanical	
<b>Dimension</b>	315.9 x 250.9 x 67 mm
<b>Enclosure</b>	Metal Housing with Aluminum Bezel
<b>Mounting</b>	VESA Mount
<b>Cooling System</b>	Fanless Design
Accessory	
<b>Accessory</b>	User Manual Touch Driver CD
<b>Optional Accessory</b>	Mounting Bracket (Optional)

<b>Power</b>	
<b>Power Rating</b>	12V DC (MIL-DTL-38999/1 connector) 9V to 36V wide range (Optional)
<b>Control</b>	
<b>Button</b>	5 Keys: -, +, Power, Esc, Enter

**DIMENSIONS** UNIT:MM



- 1 OSD Control Panel
- 2 Power Input
- 3 VGA

**NOTE**

1. This is a simplified drawing and some components are not marked in detail.
2. Please contact our sales representative if you need further product information.
3. All specifications are subject to change without prior notice.
4. The product shown in this datasheet is a standard model. For diagrams that contain customized or optional I/O, please contact the Winmate Sales Team for more information.