

R10L100-SPT2

10.4" IP65 Stainless PCAP Chassis Display



KEY FEATURES

- 10.4", 1024 x 768 IP65 Stainless PCAP Chassis Display
- Support VESA / YOKE mount
- Chassis
- Stainless housing SUS 316 / AISI 316
- Full IP65 waterproof and dustproof
- Optical bonding (optional)



SPECIFICATIONS

Display			
Resolution	1024x768	Size	10.4 inches
Contrast Ratio	1000:1	Panel Brightness	350 nits
Display Color	16.2M Colors	View Angles	88,88,88,88
Active Area	210.4x157.8 mm	Touch / Glass	Projected Capacitive Multi Touch Screen
Mechanical			
Dimension	289 x 246 x 49.9 mm	Mounting	VESA Mount Yoke Mount
Enclosure	Stainless Housing	Cooling System	Fanless design
Environment			
Operating Humidity	10% to 90% (non-condensing)	Operating Temperature	0~45°C
Storage Temperature	-20~60°C	IP rating	IP65
Certification			
Certification	CE, FCC		
IO Ports			
USB Port	1 x M12 waterproof connector for touch screen control	Video	1x M12 type connector for VGA input 1x waterproof connector for DVI input (Optional) 1x waterproof connector for HDMI input (Optional)
Indicator	1 x LED Indicator for power 1 x LED Indicator for status		
Control			
Button	1 x Power Button 1 x Adjust up button 1 x Adjust down button 1 x ESC (Auto) button 1 x OK (Menu) button		
Accessory			
Accessory	100~240V AC to DC Adapter with waterproof connector Power Cord External USB cable with waterproof connector for touchscreen control External VGA cable with waterproof connector	Optional Accessory	External HDMI cable with waterproof connector (Optional) External DVI cable with waterproof connector (Optional)

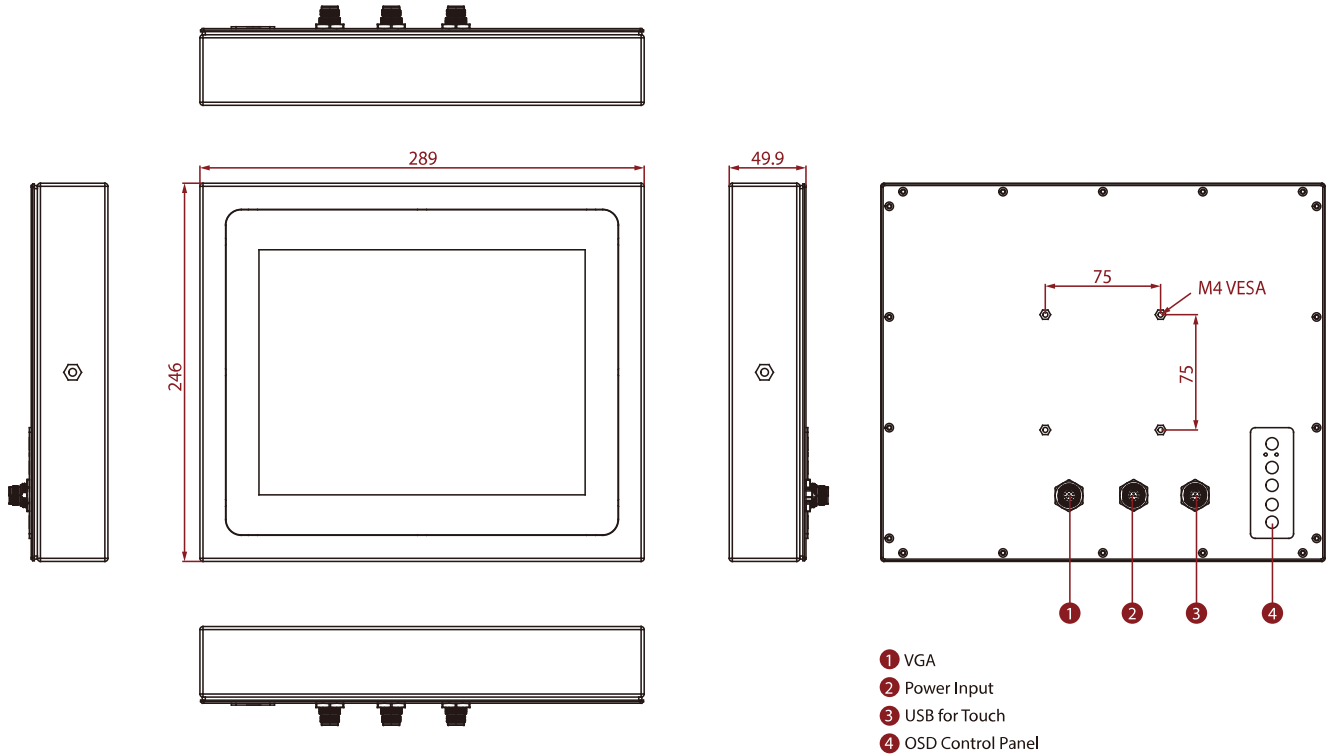
Waterproof caps
Manual
VESA screws

Power

Power Rating 12V DC (M12 type)

DIMENSIONS UNIT:MM

Winmate R10L100-SPT2



NOTE

1. This is a simplified drawing and some components are not marked in detail.
2. Please contact our sales representative if you need further product information.
3. All specifications are subject to change without prior notice.
4. The product shown in this datasheet is a standard model. For diagrams that contain customized or optional I/O, please contact the Winmate Sales Team for more information.