

R10L100-SPT269

10.4" IP69K Stainless PCAP Chassis Display



KEY FEATURES

- 10.4", 1024 x 768, PCAP touch with flat design, IP69K Stainless PCAP Chassis Display
- Full IP69K waterproof enclosure
- SUS 316/ AISI 316 stainless steel for food and chemical industries
- Support VESA / YOKE mount
- Optical bonding (optional)



SPECIFICATIONS

Display	
Resolution	1024x768
Contrast Ratio	1000:1
Display Color	16.2M Colors
Active Area	210.4x157.8 mm
Size	10.4 inches
Panel Brightness	350 nits
View Angles	88,88,88,88
Touch / Glass	Projected Capacitive Multi Touch Screen
Mechanical	
Dimension	289 x 246 x 49.9 mm
Enclosure	Stainless Housing
Mounting	VESA Mount Yoke Mount
Cooling System	Fanless design
Environment	
Operating Humidity	10% to 90% (non-condensing)
Storage Temperature	-20~60°C
Operating Temperature	0~45°C
IP rating	IP69K
Certification	
Certification	CE, FCC
IO Ports	
USB Port	1 x M12 waterproof connector for touch screen control
Video	1x M12 type connector for VGA input 1x waterproof connector for DVI input (Optional) 1x waterproof connector for HDMI input (Optional)
Indicator	1 x LED Indicator for power 1 x LED Indicator for status
Control	
Button	1 x Power Button 1 x Adjust up button 1 x Adjust down button 1 x ESC (Auto) button 1 x OK (Menu) button
Accessory	
Accessory	100~240V AC to DC Adapter with waterproof connector Power Cord External USB cable with waterproof connector for touchscreen control External VGA cable with waterproof connector
Optional Accessory	External HDMI cable with waterproof connector (Optional) External DVI cable with waterproof connector (Optional)

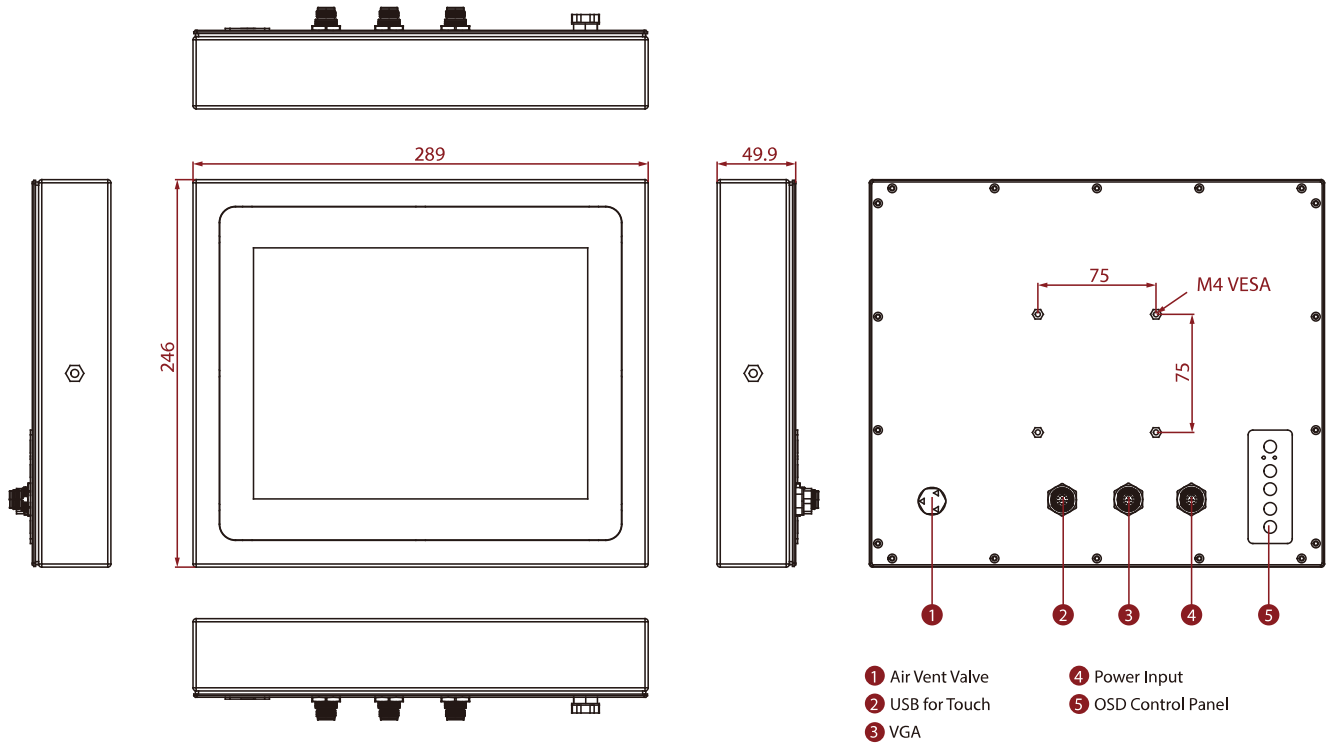
Waterproof caps
Manual
VESA screws

Power

Power Rating 12V DC (M12 type)

DIMENSIONS UNIT:MM

Winmate R10L100-SPT269



NOTE

1. This is a simplified drawing and some components are not marked in detail.
2. Please contact our sales representative if you need further product information.
3. All specifications are subject to change without prior notice.
4. The product shown in this datasheet is a standard model. For diagrams that contain customized or optional I/O, please contact the Winmate Sales Team for more information.