

R12FA3S-GSM2(HB)

12.1" vehicle-mounted touch panel computer with NXP i.MX6 G-WIN GS-Series



KEY FEATURES

- 12.1" 1024 x 768 Resolution with Projected Capacitive Multi-Touch (P-CAP)
- NXP i.MX6 Dual Core 1GHz (Optional Quad Core) Full IP65 PCAP Panel PC
- Fanless cooling system and ultra-low power consumption
- Onboard LPDDR3 1GB vehicle-mounted touch panel computer
- Onboard 16GB eMMC Flash
- Full IP65
- 1 x LAN, 1 x RS232, 1 x USB, 1 x USB OTG, 1 x Console, 1 x Micro SD



SPECIFICATIONS

Display			
Touch / Glass	Projected Capacitive Multi Touch Screen Protection Glass (Optional)	Resolution	1024x768
Size	12.1 inches	Contrast Ratio	1000:1
Panel Brightness	500 nits 1000 nits(Optional)	View Angles	89,89,89,89
Active Area	245.76 x 184.32 mm		
System Specification			
Processor	NXP i.MX6 Dual Core, 1.0GHz	Memory	1GB 2GB (Optional)
Storage	Onboard 16GB eMMC Onboard 32GB eMMC (Optional)	Operating System	Linux Ubuntu 18.04 (Optional) Android 6.0 (Optional) Debian 7.0 (Optional) Linux 4.1.15 QT 5.5 (Optional)
Environment			
Operating Humidity	10% to 95% RH	Operating Temperature	-15 °C to 55 °C
Storage Temperature	-30°C to 60°C	Shock	40g for 11ms
Vibration	1.48/1.90/2.24 g rms for XYZ/ 5-500Hz	IP rating	Full IP65
Certification			
Certification	Compliant with MIL-STD-810F/G for vibration / shock, CE, FCC		
IO Ports			
USB Port	1 X USB 2.0 (M12 type)	Serial Port	1 x RS232 (M12 type)(Optional 422/485)
SD Card Slot	1 x Micro SD Card Slot	Audio	2 x Speaker
LAN	1 x LAN-10/100/1000 (M12 type)		
Mechanical			
Dimension	296.2 x 226.7 x 45.5 mm	Mounting	VESA Mount/ Panel Mount
Enclosure	Metal Housing with Aluminum Bezel	Cooling System	Fanless Design
Power			

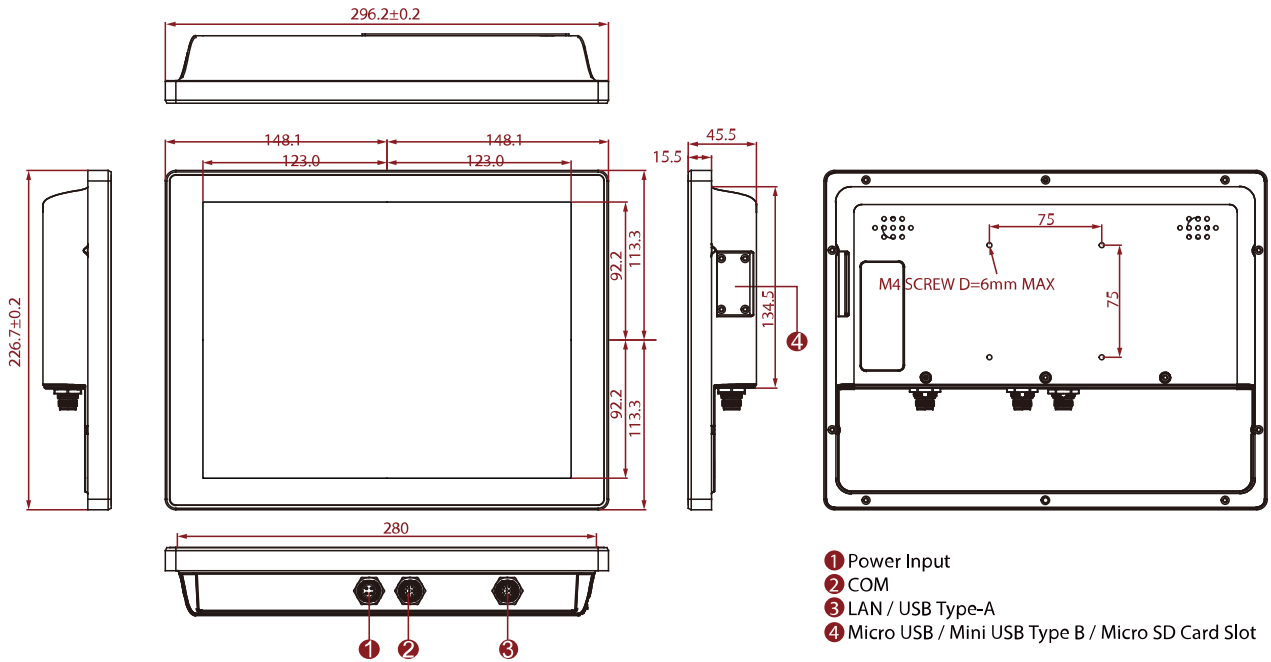
Power Rating 12V DC (M12 type)

Accessory

Accessory Quick Start Guide (Hardcopy)
Driver CD & User Manual
M12 Power Cable
M12 Serial Interface Cable
M12 USB/ LAN Cable
I/O Protective Cap x 3

DIMENSIONS UNIT:MM

Winmate R12FA3S-Full IP65 PCAP Panel PC



NOTE

1. This is a simplified drawing and some components are not marked in detail.
2. Please contact our sales representative if you need further product information.
3. All specifications are subject to change without prior notice.
4. The product shown in this datasheet is a standard model. For diagrams that contain customized or optional I/O, please contact the Winmate Sales Team for more information.