

R12IB3S-GCM2(HB)

12.1" Intel® Celeron® N2930 G-WIN GC-Series Front IP65 PCAP Panel PC



KEY FEATURES

- 12.1" 1024 x 768 with P-CAP touchscreen
- Low power consumption with Intel® Celeron® N2930
- Fanless cooling system and ultra low power consumption
- Front IP65 for protection against water and dust
- A true flat, easy-to-clean front surface with edge-to-edge design
- Plenty of I/O, including 2 x LAN, 1 x COM, 1 x USB 3.0, 1 x USB 2.0, 1 x HDMI

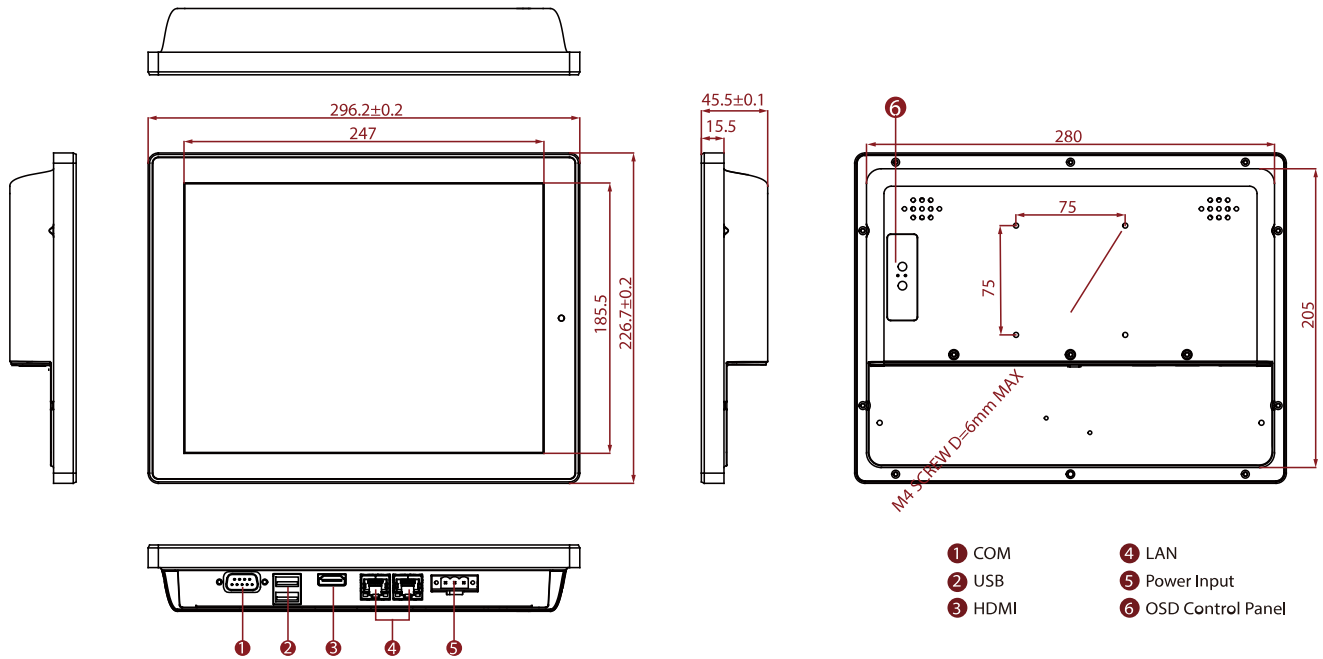


SPECIFICATIONS

Display			
Touch / Glass	Projected Capacitive Multi Touch Screen	Resolution	1024x768
Size	12.1 inches	Contrast Ratio	700:1
Panel Brightness	500 nits 1000 nits(Optional)	View Angles	89,89,89,89
Active Area	245.76 x 184.32 mm		
System Specification			
Processor	Intel® Celeron® N2930 (2M Cache, up to 2.16 GHz)	Memory	1 x SO-DIMM, DDR3L 1600 MHz, 4GB 8GB (Optional)
Storage	1 x mSATA SSD 64GB. mSATA SSD up to 512GB. (Optional)	Ethernet controller	2 x Intel® Ethernet Controller I210-AT
Operating System	Windows 7 Embedded Systems (Optional) Windows 10 IoT Enterprise (Optional) Linux Ubuntu 18.04 (Optional)		
Environment			
Operating Humidity	10% to 90% (Non-Condensing)	Operating Temperature	0~50°C
Storage Temperature	-20~60°C	Shock	MIL-STD-810G Method 516.6
Vibration	MIL-STD-810G Method 514.6	IP rating	Front IP65
Certification			
Certification	CE, FCC		
IO Ports			
USB Port	1 x USB2.0 1 x USB3.0	Serial Port	1 x RS232(Default)/422/485
Video	1 x HDMI (Optional)	Audio	2 x Speaker
LAN	2 x RJ-45		
Mechanical			
Dimension	296.2 x 226.7 x 45.5 mm	Mounting	VESA Mount/ Panel Mount
Enclosure	Aluminum	Cooling System	Fanless Design
Accessory			
Accessory	Quick Start Guide(Hardcopy)		

Power	
Power Rating	12V DC in 9-36V DC in (Optional)
Control	
Button	1 x Power Button 1 x Reset Button

DIMENSIONS UNIT:MM



NOTE

1. This is a simplified drawing and some components are not marked in detail.
2. Please contact our sales representative if you need further product information.
3. All specifications are subject to change without prior notice.
4. The product shown in this datasheet is a standard model. For diagrams that contain customized or optional I/O, please contact the Winmate Sales Team for more information.