

R12IB3S-IPM2WT

12.1" Intel® Celeron® N2930 Front IP65 Panel PC



KEY FEATURES

- 12.1" TFT XGA LCD
- Intel® Celeron® Bay Trail-M N2930, 1.83 GHz Processor
- SODIMM DDR3L 1600/1333, max. 8GB
- 2 x RS232, 1 x RS232/422/485, 1 x USB 3.0, 1 x USB 2.0, 2 x RJ45, 2 x PS/2, 1 x VGA, 1 x SATA II, 2 x Mini PCIe, 1 x eDP
- Front IP65

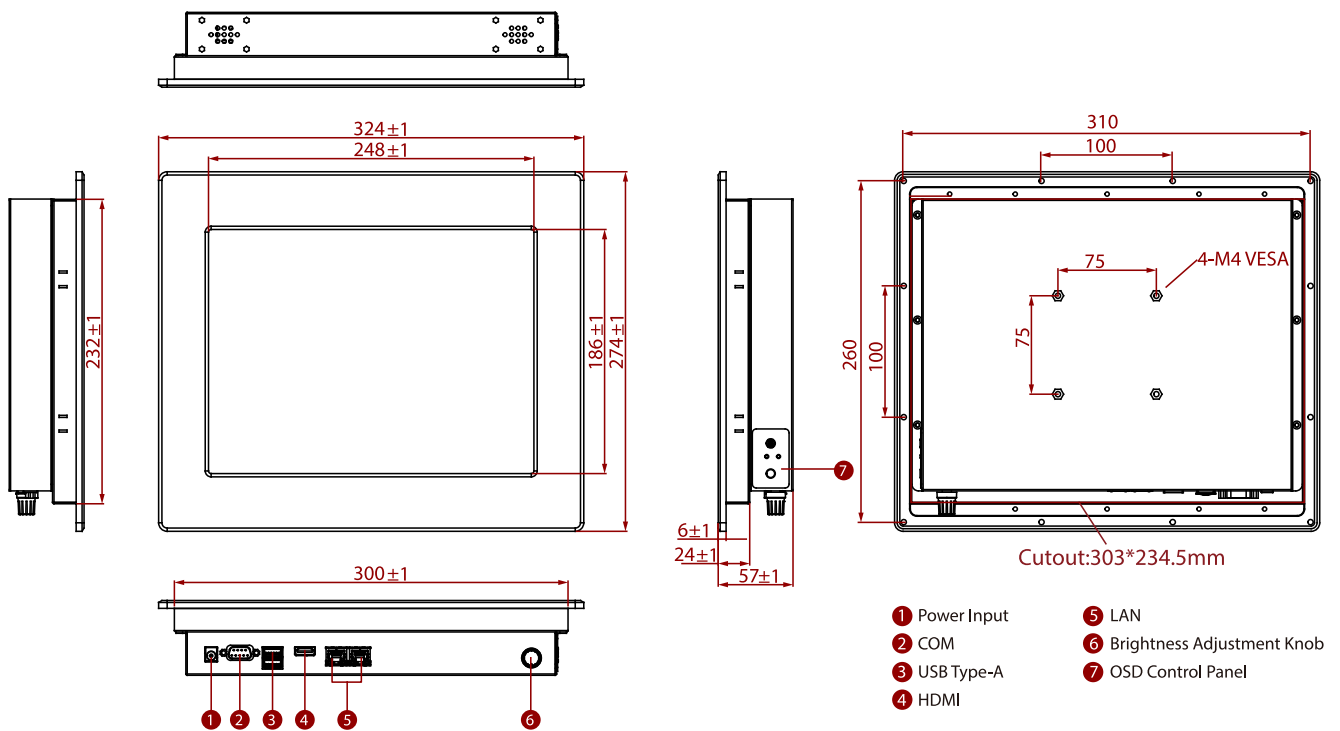


SPECIFICATIONS

Display			
Resolution	1024x768	Size	12.1 inches
Contrast Ratio	700:1	Panel Brightness	500 nits
View Angles	89,89,89,89	Active Area	245.76 x 184.32 mm
Touch / Glass	Resistive Touch Screen Protection Glass Without Touch Function (Optional)		
System Specification			
Processor	Intel® Celeron® N2930 (2M Cache, up to 2.16 GHz)	Memory	1 x SO-DIMM, DDR3L 1600 MHz, 4GB 8GB (Optional)
Storage	1 x mSATA SSD 64GB. mSATA SSD up to 512GB. (Optional)	Ethernet controller	2 x Intel® Ethernet Controller I210-AT
Operating System	Windows 7 Embedded Systems (Optional) Windows 10 IoT Enterprise (Optional) Linux Ubuntu 18.04 (Optional)	WLAN	Support (Optional)
BT	Support (Optional)		
Mechanical			
Dimension	324 x 274 x 57 mm	Mounting	Panel mount VESA Mount
Enclosure	Metal Housing	Cooling System	Fanless design
Cut out	303x234.5mm		
Environment			
Operating Humidity	30% to 90% (non-condensing)	Operating Temperature	-20~60°C
Storage Temperature	-30~70°C	IP rating	Front IP65
Certification			
Certification	CE, FCC		
IO Ports			
Power Input	1 x 12V DC, 2.5φ DC jack	USB Port	1 x USB3.0 (Type-A) 1 x USB2.0 (Type-A)
Serial Port	1 x RS232/422/485 (Default RS232) 1 x RS232	Video	1 x HDMI 1.4 (Optional)

Audio	2 x Speaker	Expansion Port	1 x mPCIe slot(for half size Wifi module)
LAN	2 x Giga LAN RJ45 Connector	Indicator	1 x LED Indicator for power 1 x LED Indicator for storage
Brightness Knob	1 x Brightness Adjustment Knob	mini PCIe	1 x Mini PCIe(For WLAN)
Control			
Button	1 x Power Button 1 x Reset Button		
Accessory			
Accessory	100~240V AC to DC Adapter Power Cord Driver CD & Manual VESA screws Mounting clips		
Power			
Power Rating	12V DC	Adapter	12V 50W

DIMENSIONS UNIT:MM



NOTE

1. This is a simplified drawing and some components are not marked in detail.
2. Please contact our sales representative if you need further product information.
3. All specifications are subject to change without prior notice.
4. The product shown in this datasheet is a standard model. For diagrams that contain customized or optional I/O, please contact the Winmate Sales Team for more information.