

R12IB3S-PCM2-POE

12.1" Intel® Celeron® N2930 S Series HMI Panel PC



KEY FEATURES

- 12.1" 1024 x 768 Resolution with Projected Capacitive MultiTouch (PCAP)
- Fanless cooling system and ultralow power consumption
- Support PoE function
- Optional 2MP Front Camera
- Optional HF RFID Reader
- Stylish design for room booking, access control, and room information applications
- Front IP65 Water and Dust Proof



SPECIFICATIONS

Display			
Resolution	1024x768	Size	12.1 inches
Contrast Ratio	1000:1	Panel Brightness	500 nits
View Angles	89,89,89,89	Active Area	245.76 x 184.32 mm
Touch / Glass	Projected Capacitive Multi Touch Screen		
System Specification			
Processor	Intel® Celeron® N2930 (2M Cache, up to 2.16 GHz)	Memory	1 x SO-DIMM, DDR3L 1600 MHz, 4GB 8GB (Optional)
Storage	1 x M.2 2242 B-key SSD 64GB. M.2 2242 B-key SSD up to 512GB. (Optional)	Ethernet controller	2 x Intel® Gigabit Ethernet Controller
Operating System	Windows 7 Embedded Systems (Optional) Windows 10 IoT Enterprise (Optional) Linux Ubuntu 18.04 (Optional)	WLAN	Support (Optional)
BT	Support (Optional)	RFID	HF RFID Reader 13.56 MHz (Optional)
Mechanical			
Dimension	296 x 227 x 46 mm	Mounting	Panel mount VESA Mount
Enclosure	Metal Housing	Cooling System	Fanless design
Cut out	282x207 mm		
Environment			
Operating Humidity	10% to 90% (non-condensing)	Operating Temperature	0~50°C
Storage Temperature	-20~60°C	IP rating	Front IP65
Certification			
Certification	CE, FCC		
IO Ports			
Power Input	1 x 12V DC, 3-Pin Terminal Block	USB Port	1 x USB3.0 (Type-A) 1 x USB2.0 (Type-A)
Serial Port	1 x RS232/422/485 (Default RS232)	Audio	1 x Speaker
Expansion Port	2 x M.2 slot(1 for WiFi, 1 for SSD)	LAN	2 x Giga LAN RJ45 Connector, One with PoE(PD, 802.3at)(Optional)

Accessory

Accessory 100~240V AC to DC Adapter
Power Cord
Terminal Block to 2.5Ø Female Adapter Cable
Open Wire Cable with terminal block connector
Driver CD & Manual
VESA screws

Optional Accessory VESA Wall Mount (Optional)
VESA Desk Stand (Optional)
Glass Wall Mount Kit (Optional)
Front Side Wall Mount (Optional)
VESA bracket mounting kit (Optional)

Power

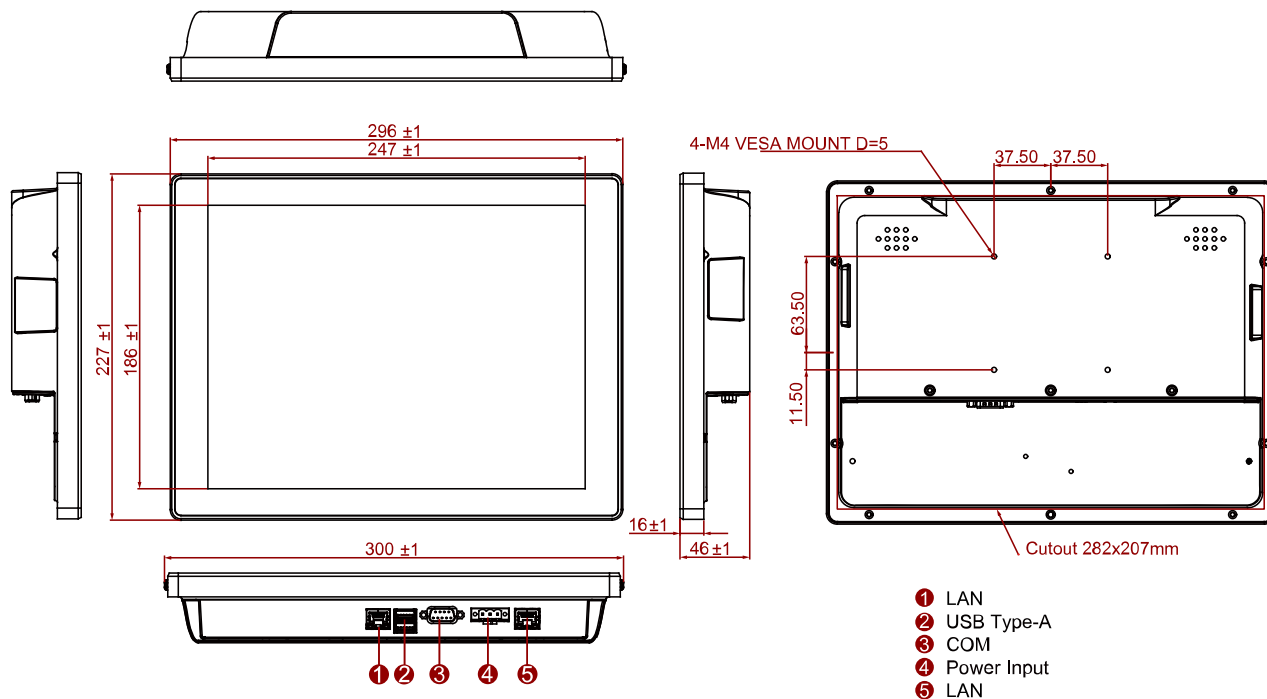
Power Rating 12V DC
9~36V (Optional)

Adapter 12V 50W

POE PoE (PD): follows IEEE 802.3at (25 W)

DIMENSIONS UNIT:MM

Winmate R12IB3S-PCM2-POE



NOTE

1. This is a simplified drawing and some components are not marked in detail.
2. The product shown in this datasheet is a standard model. For diagrams that contain customized or optional I/O, please contact the Winmate Sales Team for more information.
3. All specifications are subject to change without prior notice.