

# R12L600-MRM2HB

## 12.1" High Brightness Marine Display



### KEY FEATURES

- Dimming knob control backlight brightness from nearly 0% to 100%
- High brightness TFT-LCD Panel enhances the best visibility(Optional)
- IP66 aluminum housing with powder coating design (IP54 rear)
- 9 to 36V DC to DC power input acceptable (AC power for option)
- High quality touchscreen / AR protection glass for option
- PIP(picture in picture) function and multi-video inputs
- Ease of use front panel OSD control, High Brightness Marine Display
- Enhanced shock and vibration resistance



### SPECIFICATIONS

| Display                      |   |
|------------------------------|---|
| <b>Resolution</b>            | 1024x768  |
| <b>Contrast Ratio</b>        | 700:1   |
| <b>Display Color</b>         | 16.2M Colors  |
| <b>Touch / Glass</b>         | Resistive Touch Screen<br>AR Glass (Optional)   |
| <b>Size</b>                  | 12.1 inches   |
| <b>Panel Brightness</b>      | 1000 nits   |
| <b>View Angles</b>           | 80,80,70,70   |
| Environment                  |   |
| <b>Operating Humidity</b>    | 5% to 95%   |
| <b>Shock</b>                 | 15G, 11ms duration  |
| <b>IP rating</b>             | IP66 (Front Side)   |
| <b>Operating Temperature</b> | -15~55°C  |
| <b>Vibration</b>             | 0.7g@DNVGL CG-0339 (Class A)  |
| Certification                |   |
| <b>Certification</b>         | DNVGL-CG-0339, IEC60945 4th, IACS E10, CE, FCC  |
| IO Ports                     |   |
| <b>Serial Port</b>           | 1 x RS232 for Remote Control<br>1 x RS232/USB for Touch Screen  |
| <b>Video</b>                 | 1 x VGA<br>1 x DVI-D<br>1 x Composite<br>1 x S-Video  |
| Mechanical                   |   |
| <b>Dimension</b>             | 337 x 293.2 x 70.8 mm   |
| <b>Enclosure</b>             | Metal Housing with Aluminum Bezel   |
| <b>Mounting</b>              | VESA Mount/ Panel Mount   |
| <b>Cooling System</b>        | Fanless Design  |
| Power                        |   |
| <b>Power Rating</b>          | 24V DC-in with Isolation (Approval by Certificate)<br>9~36V DC Input Accpetable   |
| Accessory                    |   |
| <b>Accessory</b>             | 1 x User Manual.<br>1 x CD for Touchscreen Driver Tools.<br>1 x DVI Cable.<br>1 x VGA Cable.<br>1 x RS232 Serial Cable.<br>1 x S-Video Cable. |

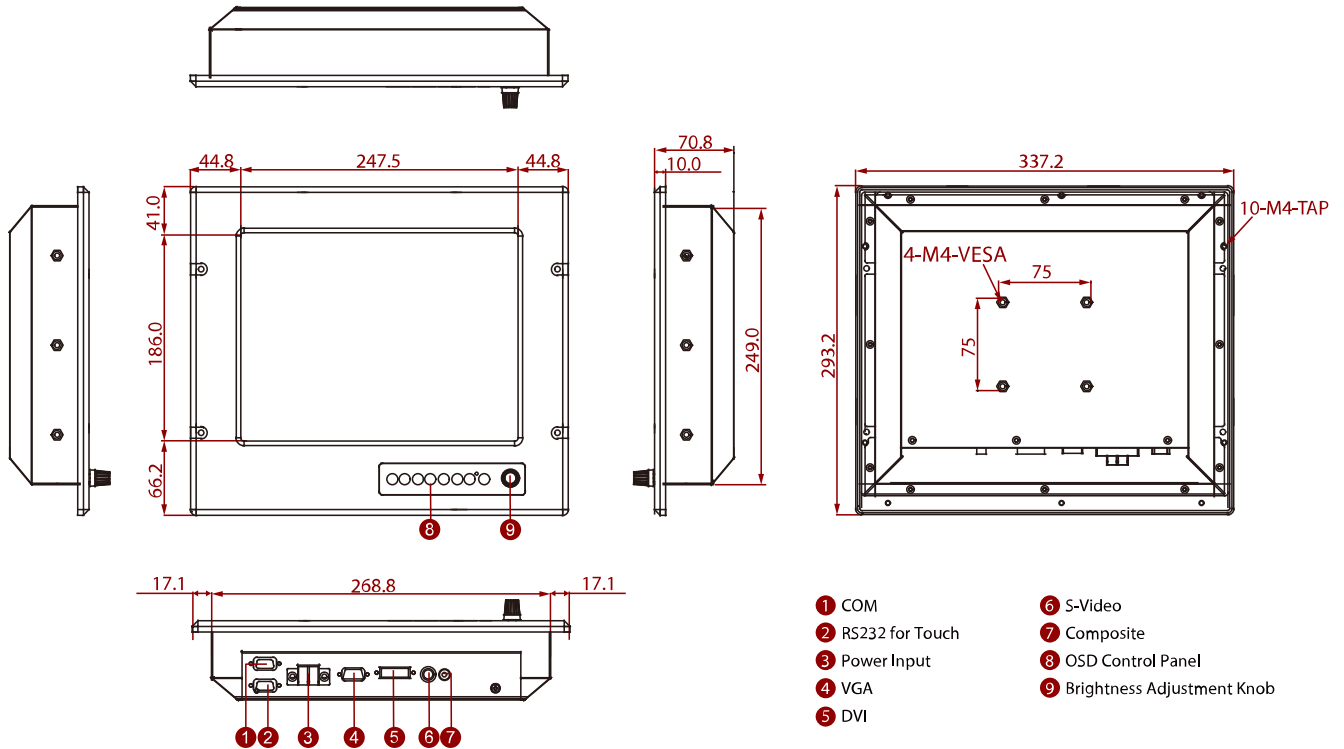
1 x Composite Cable.

## Control

**Button**

- 8 key:
  - Esc/PIP
  - Auto adjustment
  - Left
  - Right/Source
  - OK/Menu
  - Up
  - Down
  - Power
- 1 x The Dimming Knob

## DIMENSIONS UNIT:MM



## NOTE

1. This is a simplified drawing and some components are not marked in detail.
2. Please contact our sales representative if you need further product information.
3. All specifications are subject to change without prior notice.
4. The product shown in this datasheet is a standard model. For diagrams that contain customized or optional I/O, please contact the Winmate Sales Team for more information.