

# R12T600-PML1HB

## 12.1" Panel Mount High Brightness Display



### KEY FEATURES

- 12.1", 800 x 600 Panel Mount High Brightness Display
- VGA and HDMI input
- Panel mount
- VESA mount
- High brightness

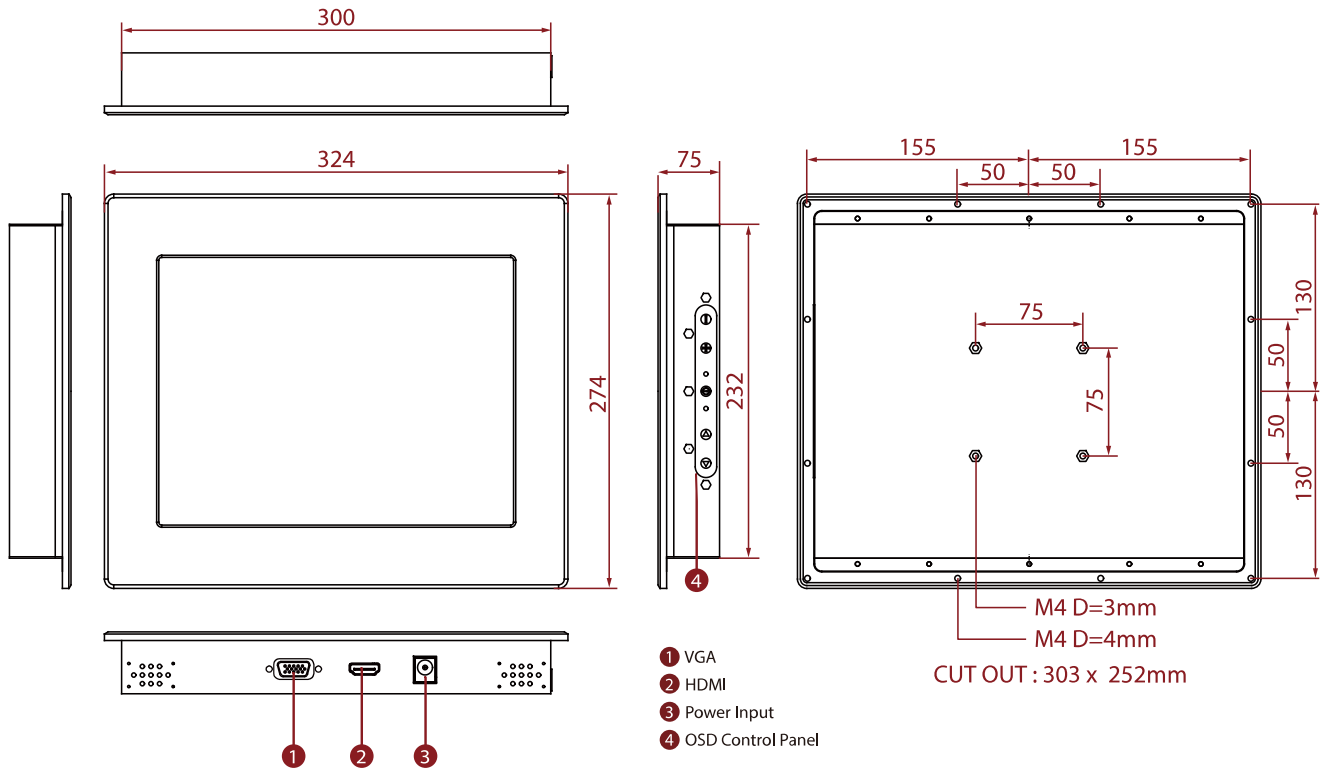


### SPECIFICATIONS

Display	
<b>Resolution</b>	800x600
<b>Contrast Ratio</b>	700:1
<b>Display Color</b>	16.2M Colors
<b>Active Area</b>	246x184.5 mm
<b>Size</b>	12.1 inches
<b>Panel Brightness</b>	1000 nits
<b>View Angles</b>	80,80,75,65
<b>Touch / Glass</b>	Resistive Touch Screen Protection Glass w/o Touch Function (Optional) SAW Touch (Surface Acoustic Wave) (Optional)
Environment	
<b>Operating Humidity</b>	10% to 90% (non-condensing)
<b>Storage Temperature</b>	-10~60°C
<b>Operating Temperature</b>	0~50°C
Certification	
<b>Certification</b>	CE, FCC
IO Ports	
<b>USB Port</b>	1 x USB for Touch Screen
<b>Audio</b>	Audio line in (3.5mm) + 2 x Speaker (Optional)
<b>Video</b>	1 x VGA 1 x HDMI (Optional) 1 x DVI (Optional)
Mechanical	
<b>Dimension</b>	324 x 274 x 43 mm
<b>Enclosure</b>	Metal Housing with Aluminum Bezel
<b>Cut out</b>	303 x 222 mm
<b>Mounting</b>	VESA Mount/ Panel Mount
<b>Cooling System</b>	Fanless Design
Accessory	
<b>Accessory</b>	1 x VGA cable 1 x HDMI cable 100~240V AC to DC Adapter Power Cord Manual VESA screws(Varies by product)
<b>Optional Accessory</b>	Remote Controller (Optional,Varies by product)
Power	
<b>Power Rating</b>	12V DC input
Control	

**DIMENSIONS** UNIT:MM

**Winmate R12T600-PML1HB**



**NOTE**

1. This is a simplified drawing and some components are not marked in detail.
2. Please contact our sales representative if you need further product information.
3. All specifications are subject to change without prior notice.
4. The product shown in this datasheet is a standard model. For diagrams that contain customized or optional I/O, please contact the Winmate Sales Team for more information.