

# R15FA3S-IPC3

## 15" NXP i.MX6 Front IP65 Panel PC



### KEY FEATURES

- 1024 x 768 TFT LCD with resistive touch screen
- NXP i.MX6 Dual Core 1 GHz (Optional Quad Core)
- Front IP65 protection
- Onboard LPDDR3 1 GB (Optional 2 GB)
- Onboard 16 GB eMMC Flash
- 1 x USB 2.0, 1 x RS-232/422/485, 1 x Micro SD Slot, 1 x Mini USB, 1 x Micro HDMI (Optional)
- PoE function (Optional)
- Fanless and ultra-low power consumption

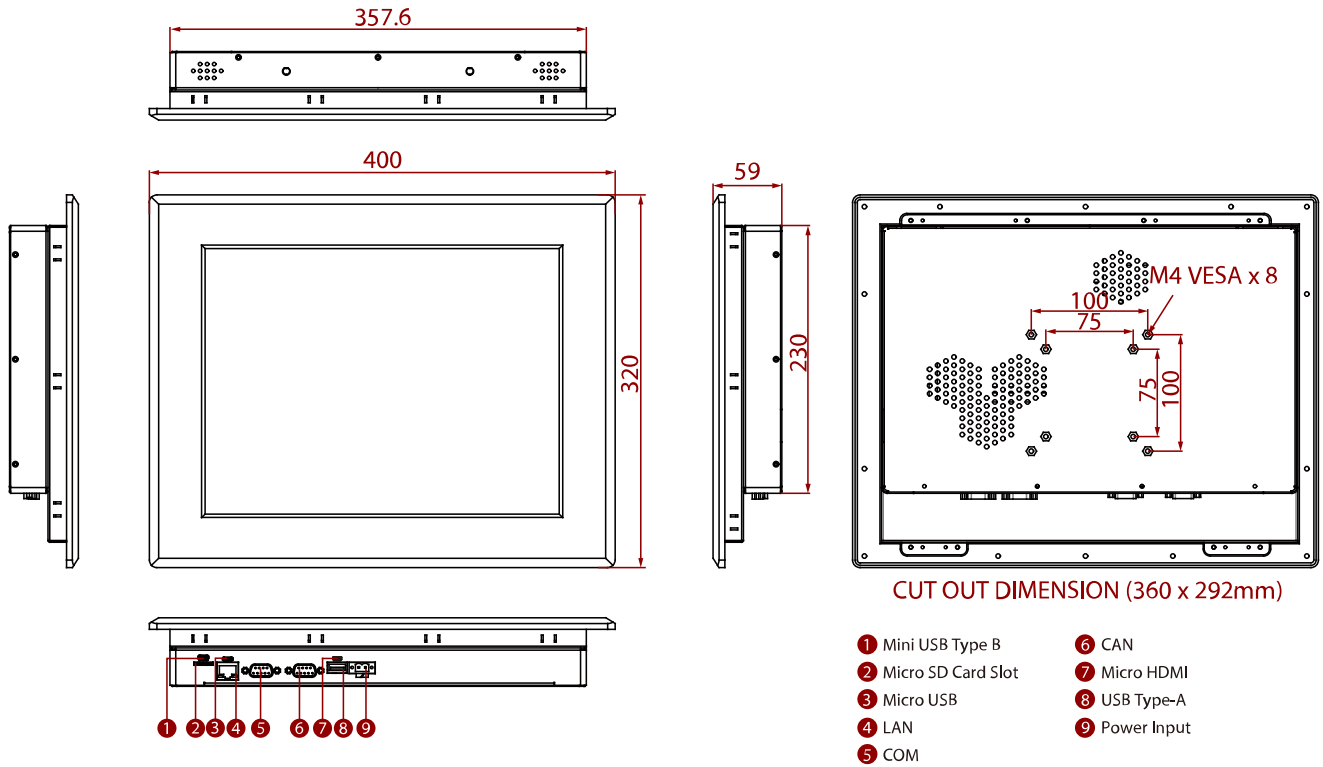


### SPECIFICATIONS

System Specification			
<b>Processor</b>	NXP i.MX6 Dual Core, 1.0GHz	<b>Memory</b>	1GB 2GB (Optional)
<b>Storage</b>	Onboard 16GB eMMC Onboard 32GB eMMC (Optional)	<b>Operating System</b>	Linux Ubuntu 18.04 (Optional) Android 6.0 (Optional) Debian 7.0 (Optional) Linux 4.1.15 QT 5.5 (Optional)
Display			
<b>Resolution</b>	1024x768	<b>Size</b>	15 inches
<b>Contrast Ratio</b>	2000:1	<b>Panel Brightness</b>	300 nits
<b>View Angles</b>	88,88,88,88	<b>Active Area</b>	304.1x228.1 mm
<b>Touch / Glass</b>	Resistive Touch Screen Protection Glass w/o Touch Function (Optional)		
Mechanical			
<b>Dimension</b>	400 x 320 x 59 mm	<b>Mounting</b>	Panel mount VESA Mount
<b>Enclosure</b>	Metal Housing	<b>Cooling System</b>	Fanless design
<b>Cut out</b>	359x274mm		
Environment			
<b>Operating Humidity</b>	10% to 90% (non-condensing)	<b>Operating Temperature</b>	0~50°C
<b>Storage Temperature</b>	-20~60°C	<b>IP rating</b>	Front IP65
Certification			
<b>Certification</b>	CE, FCC		
IO Ports			
<b>Power Input</b>	1 x 12V DC, 2-Pin Terminal Block	<b>USB Port</b>	1 x Console Port (Mini USB) 1 x USB OTG 1 x USB2.0 (Type-A)
<b>Serial Port</b>	1 x RS232/422/485 (Default RS232)	<b>SD Card Slot</b>	1 x Micro SD card slot
<b>Video</b>	1 x Micro HDMI (Optional)	<b>Audio</b>	2 x Speaker
<b>Expansion Port</b>	1 x mPCIe slot(for half size Wifi module)	<b>LAN</b>	1 x LAN RJ45 Connector with PoE(PD, 802.3 at)

<b>CANBUS</b>	1 x CANBUS, D-sub9		
<b>Accessory</b>			
<b>Accessory</b>	100~240V AC to DC Adapter Power Cord VESA screws Manual Mounting clips		
<b>Power</b>			
<b>Power Rating</b>	12V DC	<b>Adapter</b>	12V 50W
<b>POE</b>	PoE (PD): follows IEEE 802.3at (25 W)		

**DIMENSIONS** UNIT:MM



**NOTE**

1. This is a simplified drawing and some components are not marked in detail.
2. Please contact our sales representative if you need further product information.
3. All specifications are subject to change without prior notice.
4. The product shown in this datasheet is a standard model. For diagrams that contain customized or optional I/O, please contact the Winmate Sales Team for more information.