

R15IB3S-65A1FTP

15" Intel® Celeron® N2930 IP65 Stainless PCAP Chassis Panel PC



KEY FEATURES

- Full IP65 dust/water resistant
- Robust and fanless design for reliable operation
- Fanless Colling System and Ultra Low power consumption
- Support Intel® Celeron® N2930 Processor
- SUS 316/ AISI 316 stainless steel for food and chemical industries
- Special Flat Touch Design easy to maintain
- Projective Capacitive Touch
- Optical bonding (optional)



SPECIFICATIONS

Display	
Resolution	1024x768
Contrast Ratio	2500:1
View Angles	88,88,88,88
Touch / Glass	Projected Capacitive Multi Touch Screen
Size	15 inches
Panel Brightness	500 nits
Active Area	304.1x228.1 mm
System Specification	
Processor	Intel® Celeron® N2930 (2M Cache, up to 2.16 GHz)
Storage	1 x mSATA SSD 64GB. mSATA SSD up to 512GB. (Optional)
Operating System	Windows 7 Embedded Systems (Optional) Windows 10 IoT Enterprise (Optional) Linux Ubuntu 18.04 (Optional)
Memory	1 x SO-DIMM, DDR3L 1600 MHz, 4GB 8GB (Optional)
BT	Support (Optional)
Ethernet controller	2 x Intel® Ethernet Controller I210-AT
WLAN	Support (Optional)
Mechanical	
Dimension	396 x 310 x 49 mm
Enclosure	Stainless Housing
Mounting	VESA Mount
Cooling System	Fanless design
Environment	
Operating Humidity	10% to 90% (non-condensing)
Storage Temperature	-20~60°C
Operating Temperature	0~45°C
IP rating	IP65
Certification	
Certification	CE, FCC
IO Ports	
Power Input	1 x M12 waterproof connector for 12V DC
Serial Port	1 x M12 waterproof connector for RS232
Indicator	1 x LED Indicator for power 1 x LED Indicator for storage
USB Port	1x M12 waterproof connector for 2 x USB2.0
LAN	1 x waterproof Giga LAN RJ45 connector
Control	
Button	1 x Power Button 1 x Reset Button

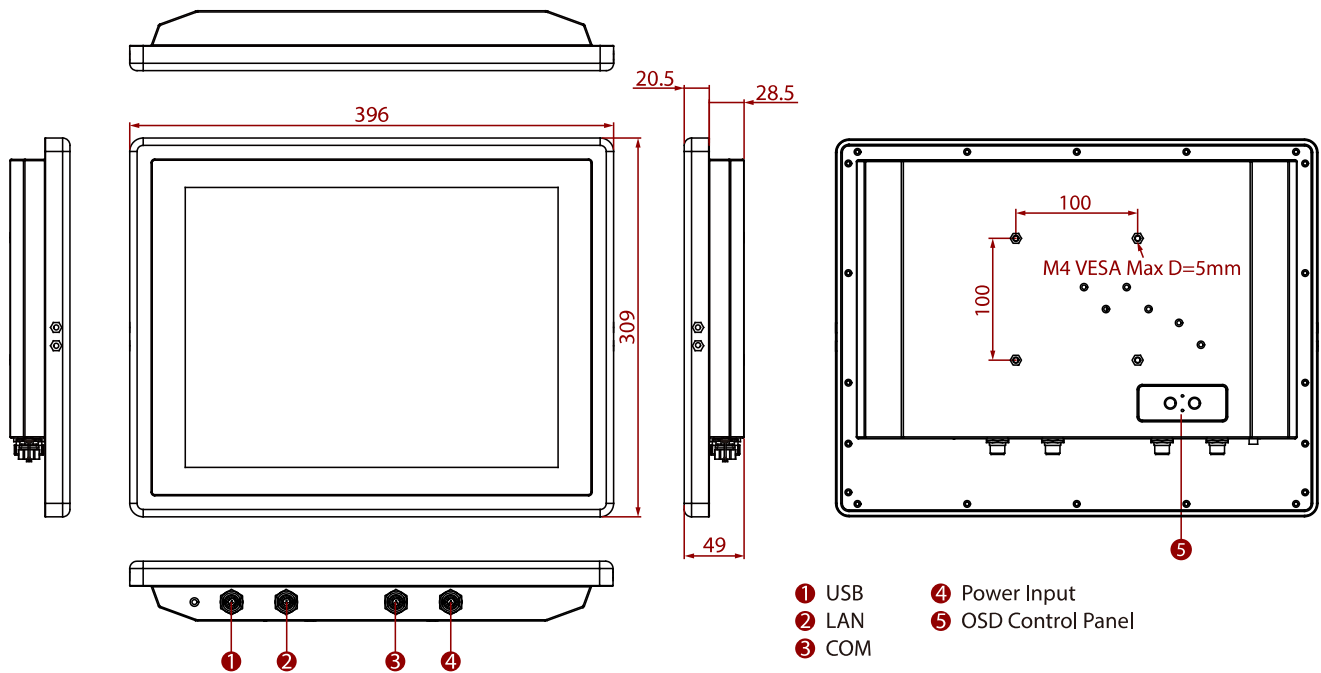
Accessory

Accessory	External USB cable with waterproof connector External COM cable with waterproof connector External LAN cable with waterproof connector Waterproof caps Driver CD & Manual VESA screws 100~240V AC to DC Adapter with waterproof connector Power Cord
------------------	---

Power

Power Rating	12V DC (M12 type)
---------------------	-------------------

DIMENSIONS UNIT:MM



NOTE

1. This is a simplified drawing and some components are not marked in detail.
2. Windows 10 operating system requires installing a new version of BIOS and OS image.
3. Windows 7 does not support the TPM 2.0 function.
4. The product shown in this datasheet is a standard model. For diagrams that contain customized or optional I/O, please contact the Winmate Sales Team for more information.
5. All specifications are subject to change without prior notice.