

R15IB3S-EHC3

15" Intel® Celeron® N2930 E Series HMI Panel PC



KEY FEATURES

- 15" 1024 x 768 Resolution
- PCAP Multi-touch screen
- Front IP65 Water and Dust Proof
- Dual Gigabit Ethernet
- Fanless cooling system and ultra-low power consumption



SPECIFICATIONS

Display				
Resolution	1024x768	Size	15 inches	
Contrast Ratio	2000:1	Panel Brightness	300 nits	
View Angles	88,88,88,88	Active Area	304.1x228.1 mm	
Touch / Glass	Projected Capacitive Multi Touch Screen			
System Specification				
Processor	Intel® Celeron® N2930 (2M Cache, up to 2.16 GHz)	Memory	1 x SO-DIMM, DDR3L 1600 MHz, 4GB 8GB (Optional)	
Storage	1 x mSATA SSD 64GB. mSATA SSD up to 512GB. (Optional)	Ethernet controller	2 x Intel® Gigabit Ethernet Controller	
Operating System	Windows 7 Embedded Systems (Optional) Windows 10 IoT Enterprise (Optional) Linux Ubuntu 18.04 (Optional)	WLAN	Support (Optional)	
BT	Support (Optional)			
Mechanical				
Dimension	353 x 277 x 42 mm	Mounting	Panel mount VESA Mount	
Enclosure	Plastic Front Bezel with Metal Back Cover		Cooling System	Fanless design
Cut out	336x266mm			
Environment				
Operating Humidity	10% to 90% (non-condensing)	Operating Temperature	0~50°C	
Storage Temperature	-20~60°C	IP rating	Front IP65	
Certification				
Certification	CE, FCC			
IO Ports				
Power Input	1 x 12V DC, 2.5φ DC jack	USB Port	1 x USB3.0 (Type-A) 1 x USB2.0 (Type-A)	
Serial Port	1 x RS232/422/485 (Default RS232)	Video	1 x HDMI 1.4 (Optional)	
Expansion Port	1 x mPCIe slot(for half size Wifi module)	LAN	2 x Giga LAN RJ45 Connector	
mini PCIe	1 x Mini PCIe(For WLAN)			

Accessory

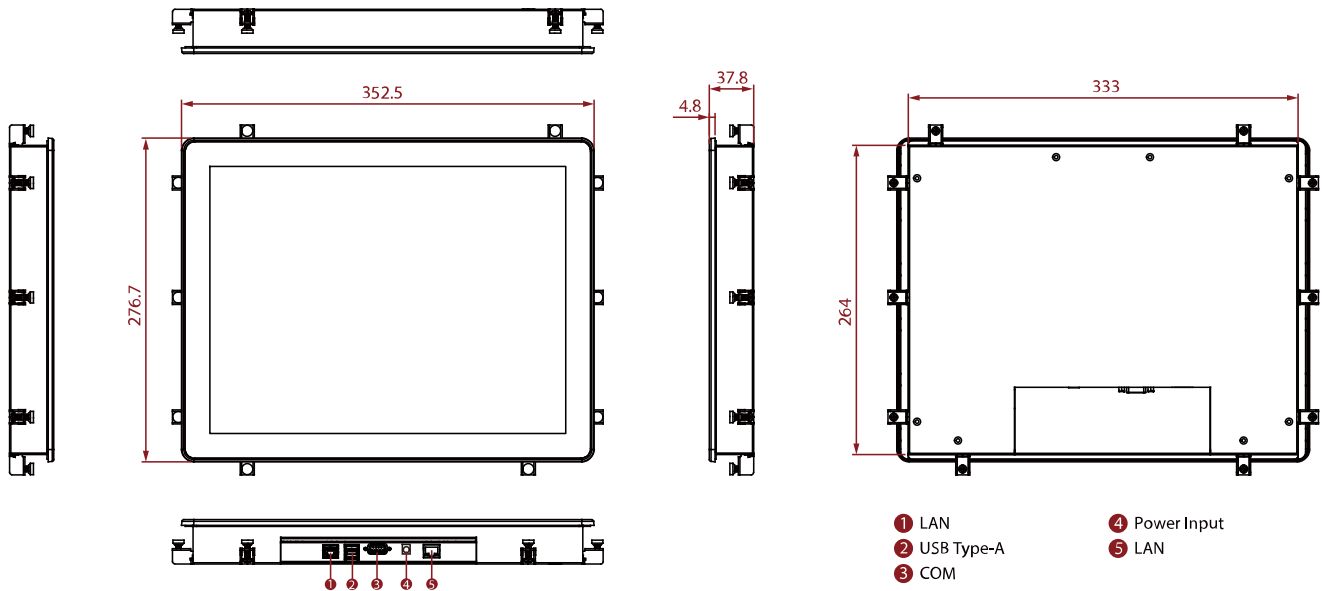
Accessory	100~240V AC to DC Adapter Power Cord Driver CD & Manual VESA screws Mounting clips
-----------	--

Power

Power Rating	12V DC	Adapter	12V 50W
--------------	--------	---------	---------

DIMENSIONS UNIT:MM

Winmate R15IB3S-EHC3



NOTE

1. This is a simplified drawing and some components are not marked in detail.
2. The product shown in this datasheet is a standard model. For diagrams that contain customized or optional I/O, please contact the Winmate Sales Team for more information.
3. All specifications are subject to change without prior notice.