

R15IB3S-PTC3

15" Intel® Celeron® N2930 computer panel



KEY FEATURES

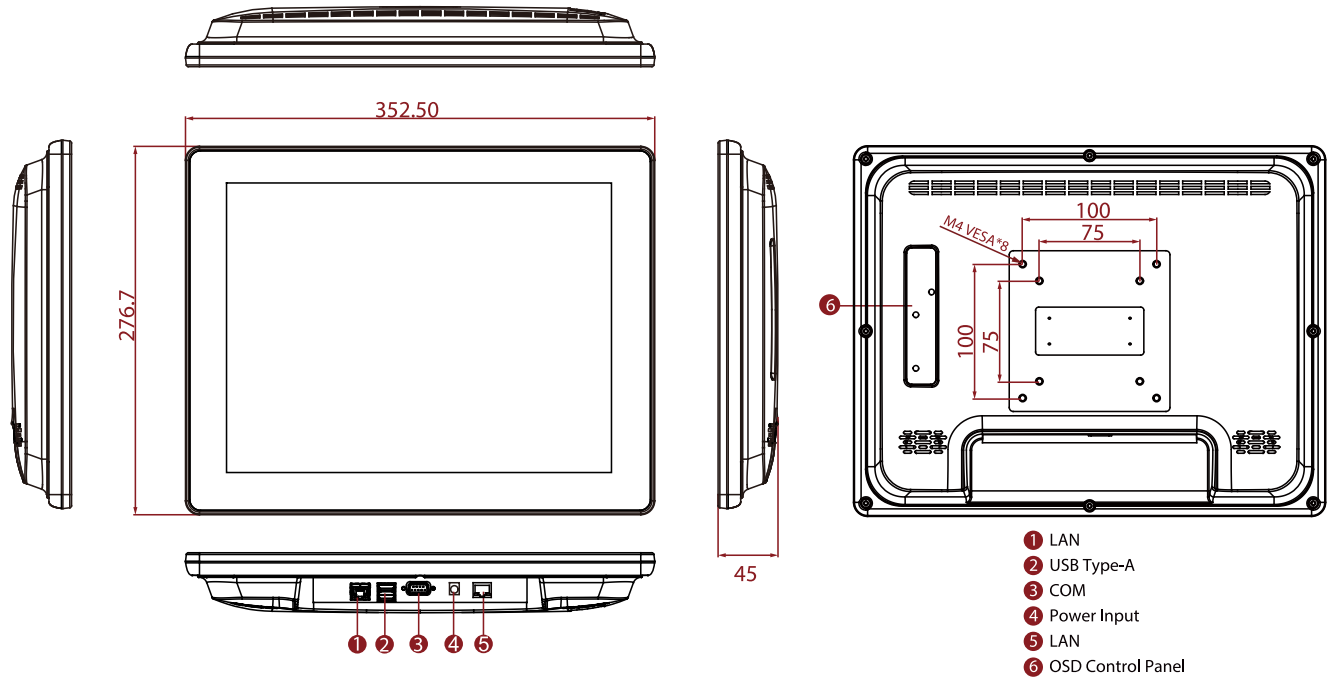
- 15" 1024 x 768 with PCAP touchscreen, computer panel
- Low power consumption with Intel® Celeron® N2930, 1.83 GHz
- Fanless cooling system and ultra-low power consumption
- Front IP65 for protection against water and dust
- A true flat, easy-to-clean front surface with edge-to-edge design
- Optional for Glass



SPECIFICATIONS

| Display | |
|------------------------------|--|
| Resolution | 1024x768 |
| Contrast Ratio | 2000:1 |
| View Angles | 88,88,88,88 |
| Touch / Glass | Projected Capacitive Multi Touch Screen Anti-glare Coating (Optional) |
| Size | 15 inches |
| Panel Brightness | 300 nits |
| Active Area | 304.1x228.1 mm |
| System Specification | |
| Processor | Intel® Celeron® N2930 (2M Cache, up to 2.16 GHz) |
| Storage | 1 x M.2 2242 SSD 64GB. M.2 2242 SSD up to 512GB. (Optional) |
| Operating System | Windows 7 Embedded Systems (Optional) Windows 10 IoT Enterprise (Optional) Linux Ubuntu 18.04 (Optional) |
| Memory | 1 x SO-DIMM, DDR3L 1600 MHz, 4GB 8GB (Optional) |
| Ethernet controller | 2 x Intel® Ethernet Controller I210-AT |
| Environment | |
| Operating Humidity | 10% to 90% (non-condensing) |
| Storage Temperature | -20~60°C |
| Operating Temperature | 0~50°C |
| IP rating | Front IP65 |
| Certification | |
| Certification | CE, FCC |
| Mechanical | |
| Dimension | 352.5 x 276.7 x 45 mm |
| Enclosure | Plastic |
| Mounting | VESA Mount (100x100mm, 75x75mm) |
| Cooling System | Fanless Design |
| IO Ports | |
| USB Port | 1 x USB 3.0 1 x USB 2.0 |
| Serial Port | 1 x RS-232/422/485 |
| Audio | 2 x Speaker |
| LAN | 2 x RJ 45-10/100/1000 Mbps |
| Indicator | Power LED Indicator |
| Accessory | |
| Accessory | Driver CD Quick Start Guide(Hardcopy) AC Adapter 12V/50W |

| | |
|---------------------|--------------------------------------|
| Power | |
| Power Rating | 12V DC input |
| Control | |
| Button | 1 x Power Button 1 x Reset Button |

DIMENSIONS UNIT:MM**Winmate R15IB3S-PTC3****NOTE**

1. This is a simplified drawing and some components are not marked in detail.
2. Please contact our sales representative if you need further product information.
3. All specifications are subject to change without prior notice.
4. The product shown in this datasheet is a standard model. For diagrams that contain customized or optional I/O, please contact the Winmate Sales Team for more information.