

R15ID3S-65EX

15" Intel® Atom® N2600 ATEX Panel PC



KEY FEATURES

- 15" 1024x768 , LCD Panel PC
- Intel® Atom® N2600 Processor, ATEX Panel PC
- Class1, Division 2 & ATEX Zone 2 device certified for hazardous area application
- Fanless, streamlined enclosure for highly efficient heat dissipation
- 5 wire Resistive Touch Screen (Explosion-proof)
- Stainless housing
- Rated for wide temperature use -20~50°C



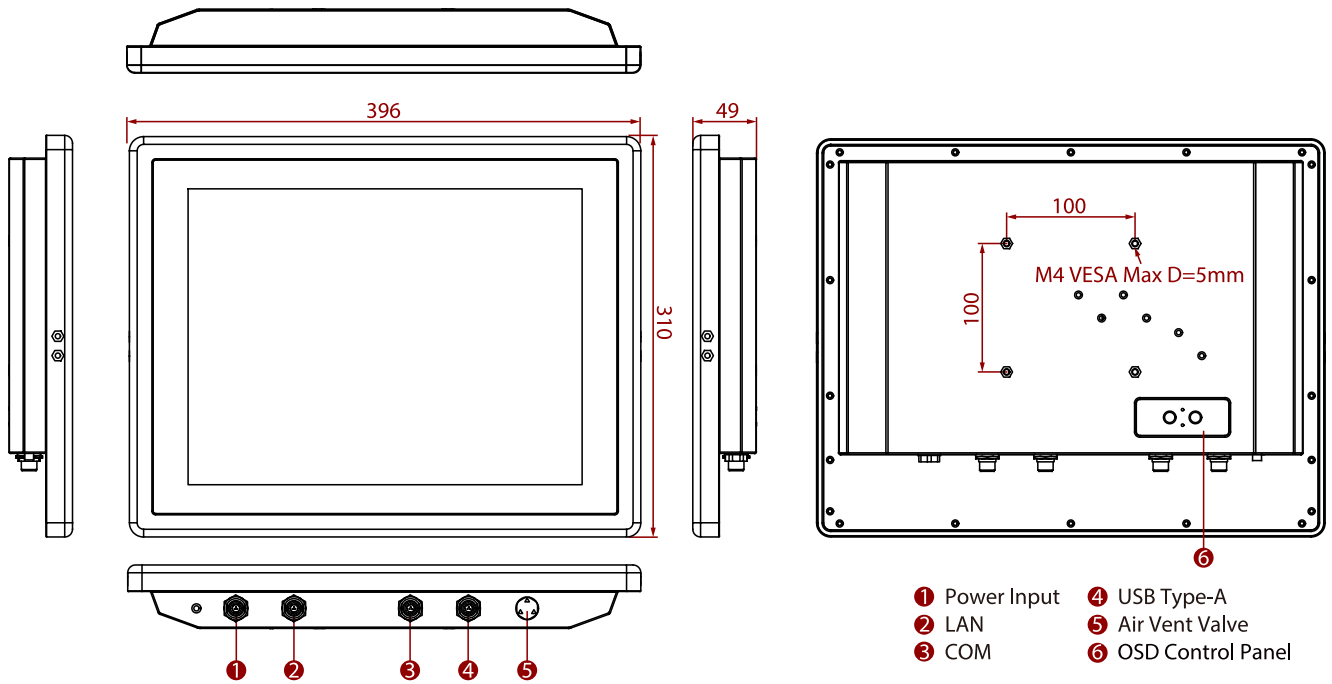
SPECIFICATIONS

System Specification			
Processor	Intel Atom® N2600 (1M Cache, 1.6 GHz)	Chipset	Intel® NM10
Memory	1 x SO-DIMM, DDR3L 1600 MHz, 4GB 8GB (Optional)	Storage	1 x mSATA SSD 64GB mSATA SSD up to 512GB (Optional)
Ethernet controller	BCM57780A1KMLG	Operating System	Windows 7 Embedded Systems (Optional) Linux Ubuntu 16.04 (Optional)
Display			
Touch / Glass	Resistive Touch Screen Bonding With Panel (Explosion-Proof)	Resolution	1024x768
Size	15 inches	Contrast Ratio	2000:1
Panel Brightness	550 nits 1000 nits(Optional)	View Angles	88,88,88,88
Active Area	304.1x228.1 mm		
Mechanical			
Dimension	396 x 310 x 49 mm	Mounting	VESA Mount
Enclosure	Stainless Housing	Cooling System	Fanless design
Environment			
Operating Humidity	10% to 95% (non-condensing)	Operating Temperature	-20~50°C
Storage Temperature	-20~50°C	Shock	MIL-STD-810G Method 516.6
Vibration	MIL-STD-810G Method 514.6	IP rating	IP65
Drop	MIL-STD-810G Method 516.6		
Certification			
Certification	CE, FCC UL60950-1, CSA C22.2 No. 60950-1-07, EN 62368-1, IEC60950-1 ATEX Zone 2 EX II 3 G Ex ic nA IIC Gc UL Class I, Div.2, Groups ABCD T4 ANSI/ISA12.12.01 CAN/CSA C22.2 No. 213-M1987		
IO Ports			
Power Input	1 x 9~36V DC, M12 Type connector	USB Port	1x M12 type connector for 2 x USB2.0

Serial Port	1 x M12 connector for RS232/422/485 (Default RS232)	LAN	1 x M12 type connector for Giga LAN
Indicator	1 x LED Indicator for power 1 x LED Indicator for storage		
Control			
Button	1 x Power Button 1 x Reset Button		
Accessory			
Accessory	100~240V AC to DC Power Adapter with M12 Connector Power Cord M12 Type Power Cable M12 Type RS232 Male Cable M12 Type USB Female Cable M12 Type LAN Cable RJ45 female-female converter USB Adapter (USB type A to type B) Driver CD & Manual VESA screws		

DIMENSIONS UNIT:MM

w/o Box Cover



NOTE

1. Total usable memory will be less dependent upon actual system configuration.
2. Length measurements do not include protrusions. Weight varies with options.
3. Measured at maximum backlight and high CPU load.
4. Accessories and Integrated Options may vary depending on your configuration.
5. The product shown in this datasheet is a standard model. For diagrams that contain customized or optional I/O, please contact the Winmate Sales Team for more information.