

R15IK3S-VMC3(HB)

15" Intel® Core™ i5 G-WIN Vehicle Mount Panel PC



KEY FEATURES

- 7 Generation (kaby Lake) Intel® Core™ i5-7200U 2.5GHz (turbo to 3.1GHz) Vehicle Mount Panel PC
- High Quality 15" Panel, 1024*768 resolution, 300 nits (Optional for 1000 nits)
- Front IP65 Dust/ Water proof design with VESA mount
- Aluminum Housing with Anti-Corrosion Treatments
- Built-in ambient Light sensor
- Wide Range 9 to 36V DC Input with isolation
- Optional 6-60V DC Input, and Optional for Ignition On/Off delay
- 5 Wire Resistive Touch / Anti-Reflective Protection Glass (Optional)
- Optional GPS, WWAN/WLAN(Either one). GPIO/Canbus(Either one)



SPECIFICATIONS

System Specification			
Processor	Intel® Core™ i5-7200U (3M Cache, up to 3.10 GHz) Intel® Core™ i5-7300U (3M Cache, up to 3.50 GHz)	Memory	1 x SO-DIMM, DDR4 2133 MHz, 4GB 8GB (Optional) 16GB (Optional)
Storage	1 x M.2 2242 SSD 64GB M.2 2242 SSD up to 512GB (Optional)	Ethernet controller	Intel® Ethernet Controller I211-AT + Intel® Ethernet Connection I219-LM
Security	TPM 2.0	Operating System	Windows 10 IoT Enterprise (Optional) Linux Ubuntu 18.04 (Optional)
WLAN	Support (Optional)	BT	Support (Optional)
WWAN	WWAN (Optional)		
Display			
Touch / Glass	Resistive Touch Screen Protection Glass Without Touch Function (Optional)	Optional function	High brightness Panel for sunlight readable (Optional)
Resolution	1024x768	Size	15 inches
Contrast Ratio	2000:1	Panel Brightness	300 nits 1000 nits(Optional)
View Angles	88,88,88,88	Active Area	304.1x228.1 mm
Mechanical			
Dimension	398 x 308 x 58 mm	Mounting	VESA Mount Yoke Mount
Enclosure	Aluminum Housing	Cooling System	Fanless design
Environment			
Operating Humidity	10% to 90% (non-condensing)	Operating Temperature	-10~55°C
Storage Temperature	-30~70°C	Shock	MIL-STD-810G Method 516.6 (Optional)
Vibration	MIL-STD-810G Method 514.6	IP rating	Front IP65
Certification			

Certification CE, FCC

IO Ports

Power Input	1 x 9~36V DC, 3-Pin Terminal Block 6-60V DC Input and Optional for Ignition On/Off delay	USB Port	2 x USB3.0 (Type-A)
Serial Port	1 x RS232/422/485 (Default RS232) 1 x RS232	Video	1 x HDMI 1.4 (Optional)
Expansion Port	2 x M.2 slot(1 for WiFi, 1 for SSD)	LAN	2 x Giga LAN RJ45 Connector
Indicator	1 x LED Indicator for power 1 x LED Indicator for storage	DIDO	Terminal block with digital 4 in / 4 out (Either of DIDO/CANBUS)
CANBUS	Terminal block with 2 channel CANBUS (Either of DIDO/CANBUS)		

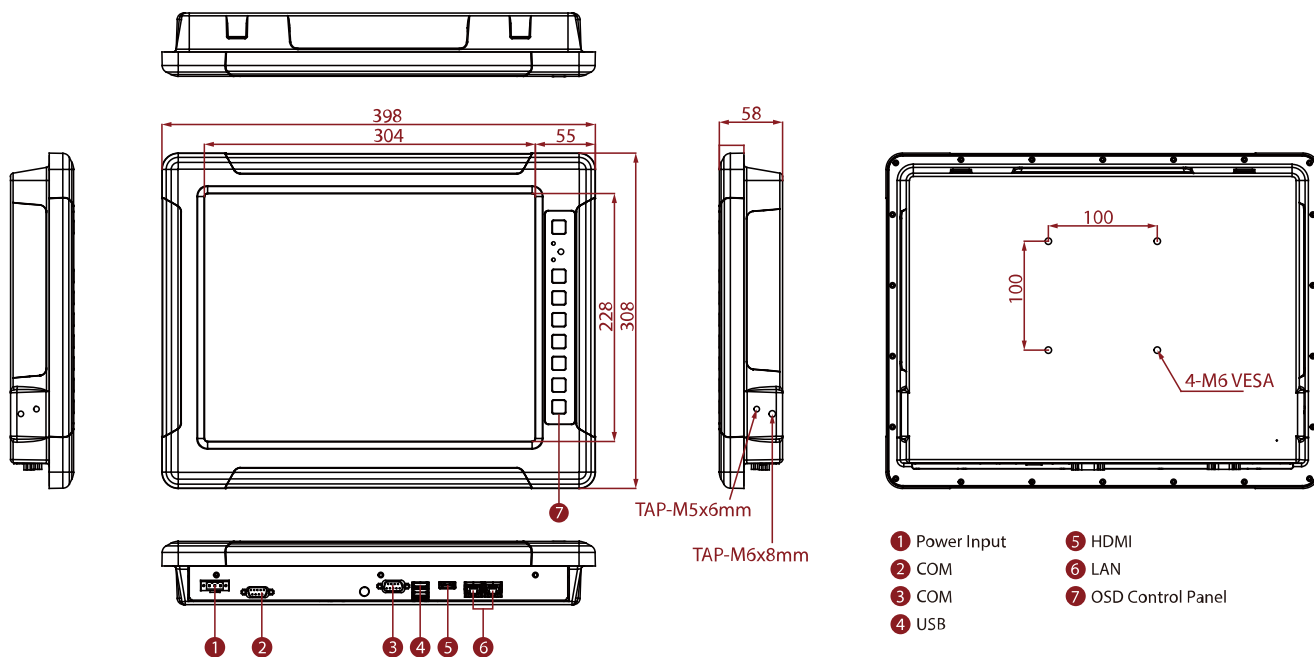
Control

Button	1 x Power Button 1 x Reset Button 1 x Lock / Unlock front key function button 1 x Auto Dimming / Manually button 1 x Day / Night Mode button 1 x Brightness Up button 1 x Brightness Down button 1 x LED indicator brightness adjustment button 1 x Light sensor
---------------	--

Accessory

Accessory	Open Wire Cable with terminal block connector Driver CD & Manual VESA screws	Optional Accessory	Yoke mount stand (Optional) 100~240V AC to DC Adapter with power cord (Optional)
------------------	--	---------------------------	--

DIMENSIONS UNIT:MM



NOTE

1. This is a simplified drawing and some components are not marked in detail.
2. Windows 10 operating system requires installing a new version of BIOS and OS image.
3. Weight of the device varies by configuration
4. Please contact our sales representative if you need further product information.
- 5 All specifications are subject to change without prior notice.
6. The product shown in this datasheet is a standard model. For diagrams that contain customized or optional I/O, please contact the Winmate Sales Team for more information.