

R15IK7T-OFC3

15" Intel® Core™ i3/i5/i7 (Kaby Lake) Open Frame Panel PC



KEY FEATURES

- 15" 1024 x 768 Resolution open pc frame
- 7th Gen. Intel® Core™ i3/i5/i7 Kaby Lake Processor
- Flexible storage devices, one 2.5-inch HDD and one SSD
- Multiple I/Os, 2 x Serial Ports, 4 x USB 3.0 Ports
- 12 V DC Power input
- DP Support 4096 x 2304 @ 60 Hz
- HDMI Support 4096 x 2304 @ 24 Hz



SPECIFICATIONS

Display			
Resolution	1024x768	Size	15 inches
Contrast Ratio	2000:1	Panel Brightness	300 nits
View Angles	88,88,88,88	Active Area	304.1x228.1 mm
Touch / Glass	Resistive Touch Screen Protection Glass w/o Touch Function (Optional)		
System Specification			
Processor	Intel® Core™ i7-7700T (8M Cache, 2.9 GHz up to 3.80 GHz) Intel® Core™ i5-7500T (6M Cache, 2.7GHz up to 3.30 GHz) Intel® Core™ i3-7100T (4M Cache, 3.34 GHz)	Chipset	Intel® H170
Memory	1 x SO-DIMM, DDR4 2400 MHz, 4GB 8GB (Optional) 16GB (Optional) 2 x SO-DIMM, up to 32GB (Optional)	Storage	1 x M.2 2242 B-key SSD 64GB. M.2 2242 B-key SSD Up to 512GB. (Optional) 1 x 2.5" SSD / HDD (Optional) 2 x SATA III support RAID 0,1 (Optional)
Ethernet controller	Intel® Ethernet Controller I211-AT + Intel® Ethernet Connection I219-LM	Security	TPM 2.0
Operating System	Windows 10 IoT Enterprise (Optional) Linux Ubuntu 18.04 (Optional) Linux Ubuntu 20.04 (Optional)	WLAN	Support (Optional)
BT	Support (Optional)		
Mechanical			
Dimension	357.6 x 291.6 x 63 mm	Mounting	Open Frame panel mount VESA Mount
Enclosure	Metal Housing	Cooling System	Fan design
Environment			
Operating Humidity	10% to 90% (non-condensing)	Operating Temperature	0~50°C
Storage Temperature	-10~60°C		
Certification			
Certification	CE, FCC		
IO Ports			
Power Input	1 x 12V DC, Din4 pin connector	USB Port	4 x USB3.2 Gen.1 (Type-A)

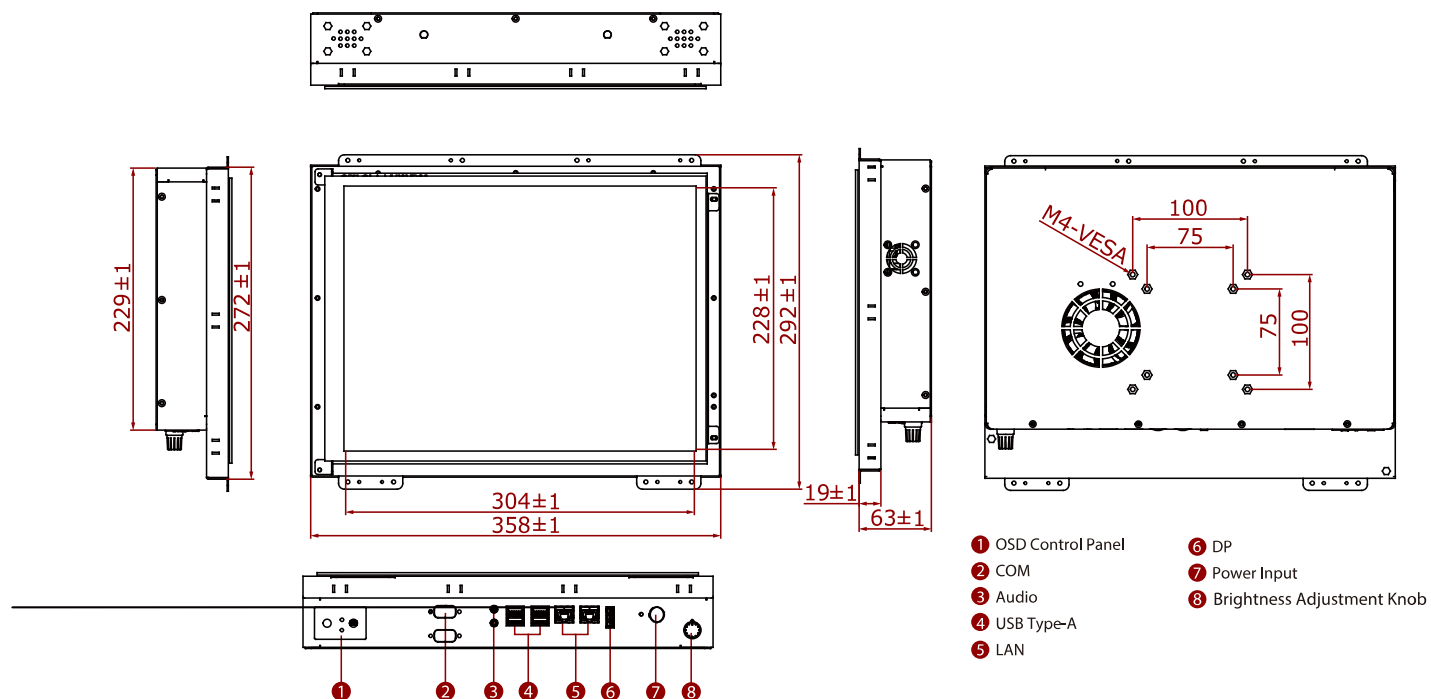
Serial Port	1 x RS232/422/485 (Default RS232) 1 x RS232	Video	1 x DP1.2 1 x HDMI 1.4 (Optional)
Audio	1 x Mic in 1 x Line out 2 x Speaker	Expansion Port	2 x M.2 slot(1 for WiFi, 1 for SSD) 1 x PCIe 16 (Optional)
LAN	2 x Giga LAN RJ45 Connector	Indicator	1 x LED Indicator for power 1 x LED Indicator for storage
Brightness Knob	1 x Brightness Adjustment Knob		

Control	
Button	1 x Power Button 1 x Reset Button

Accessory	100~240V AC to DC Adapter Power Cord Driver CD & Manual VESA screws
------------------	--

Power			
Power Rating	12V DC (Lockable Power Jack)	Adapter	12V 120W

DIMENSIONS UNIT:MM



NOTE

1. This is a simplified drawing and some components are not marked in detail.
2. Please contact our sales representative if you need further product information.
3. All specifications are subject to change without prior notice.
4. The product shown in this datasheet is a standard model. For diagrams that contain customized or optional I/O, please contact the Winmate Sales Team for more information.