

R15IP3S-GCC3

15" Intel® Pentium® N4200 G-WIN GC-Series Front IP65 PCAP Panel PC



KEY FEATURES

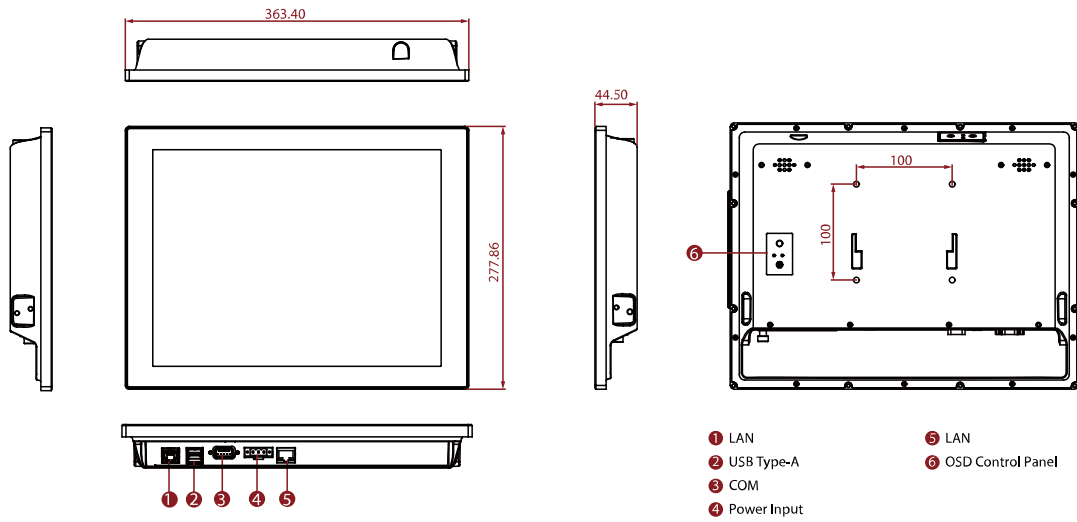
- 15" 1024 x 768 PCAP multi-touchscreen
- Intel® Pentium® N4200 Apollo Lake Processor
- Fanless cooling system and ultra-low power consumption
- Dual Gigabit Ethernet
- Front IP65 water and dust proof
- Stylish design for room booking, access control, and room information applications



SPECIFICATIONS

Display	
Resolution	1024x768
Contrast Ratio	2000:1
View Angles	88,88,88,88
Touch / Glass	Projected Capacitive Multi Touch Screen
Size	15.0 inches
Panel Brightness	300.0 nits
Active Area	304.1x228.1 mm
System Specification	
Processor	Intel Pentium N4200 1.1GHz (up to 2.5GHz)
Storage	1 x M.2 B-Key 2242 SSD 128GB M.2 B-Key 2242 SSD up to 512GB (Optional)
Security	TPM 2.0
WLAN	Support (Optional)
Memory	1 x SO-DIMM, DDR3L 1600 MHz, 4GB 8GB (Optional)
Ethernet controller	2 x Intel® Ethernet Controller
Operating System	Windows 10 IoT Enterprise (64 bit) (Optional) Linux Ubuntu 20.04 (Optional)
BT	Support (Optional)
Environment	
Operating Humidity	10% to 90% (Non-Condensing)
Storage Temperature	-20°C~60°C
Vibration	MIL-STD-810G Method 514.6
Operating Temperature	0~50°C
Shock	MIL-STD-810G Method 516.6
IP rating	Front IP65
Certification	
Certification	CE, FCC
IO Ports	
USB Port	2 x USB 3.0
Audio	2 x Speaker
Serial Port	1 x RS232(Default)/422/485
LAN	1 x RJ45-10/100/1000 Mbps, 1 x RJ45
Mechanical	
Dimension	363.40 x 277.86 x 44.50 mm
Enclosure	Metal
Mounting	VESA Mount/ Panel Mount
Cooling System	Fanless Design
Accessory	
Accessory	Quick Start Guide(Hardcopy) AC Adapter 12V/50W Power Cord 3 Pin Terminal Block to DC Jack
Control	
Button	1 x Power Button 1 x Reset Button
Power	
Power Rating	12V DC with Terminal Block

DIMENSIONS UNIT:MM



NOTE

1. This is a simplified drawing and some components are not marked in detail.
2. Please contact our sales representative if you need further product information.
3. All specifications are subject to change without prior notice.
4. The product shown in this datasheet is a standard model. For diagrams that contain customized or optional I/O, please contact the Winmate Sales Team for more information.