

R15IQ3S-PCC3AC-POE

15" Qualcomm Snapdragon™ 660 S Series HMI Panel PC



KEY FEATURES

- 15" 1024 x 768 TFT LCD with Projected Capacitive Multi-Touch (PCAP)
- Fanless cooling system and ultralow power consumption
- Support PoE function
- Optional 2MP Front Camera
- Optional HF RFID Reader
- Stylish design for room booking, access control, and room information applications
- Front IP65 Water and Dust Proof
- Built-in RGB LED Light Bar Indicator



SPECIFICATIONS

Display			
Resolution	1024x768	Size	15 inches
Contrast Ratio	2000:1	Panel Brightness	300 nits
View Angles	88,88,88,88	Active Area	304.1x228.1 mm
Touch / Glass	Projected Capacitive Multi Touch Screen		
System Specification			
WLAN	Support (Optional)	BT	Support (Optional)
RFID	HF RFID Reader 13.56 MHz (Optional)	Light Bar	Built-in RGB LED Status Light Bar, on both sides
Processor	Qualcomm® Snapdragon™ 660 (Octa-Core 2.2 GHz)	Memory	3GB LPDDR4
Storage	32GB eMMC	Operating System	Android 9.0
Mechanical			
Dimension	363.40 x 277.86 x 44.50 mm	Mounting	Panel mount VESA Mount
Enclosure	Aluminum	Cooling System	Fanless design
Cut out	346.5x261mm		
Environment			
Operating Humidity	10% to 90% (Non-Condensing)	Operating Temperature	0~50°C
Storage Temperature	-20~60°C	Shock	MIL-STD-810G Method 516.6
Vibration	MIL-STD-810G Method 514.6	IP rating	Front IP65
Certification			
Certification	CE, FCC		
IO Ports			
USB Port	2 x USB 2.0 (Type A), 1 x USB 3.0 (Type-C)	Serial Port	1 x RS232/422/485 (Default RS232)
SD Card Slot	1 x Micro SD card slot	Video	1 x Micro HDMI (Optional)
Audio	2 x Speaker	LAN	1 x LAN(USB to LAN AX88178A) PoE at/af

Accessory

Accessory	100~240V AC to DC Adapter Power Cord Terminal Block to 2.5Ø Female Adapter Cable Open Wire Cable with terminal block connector Manual VESA screws
------------------	--

Power

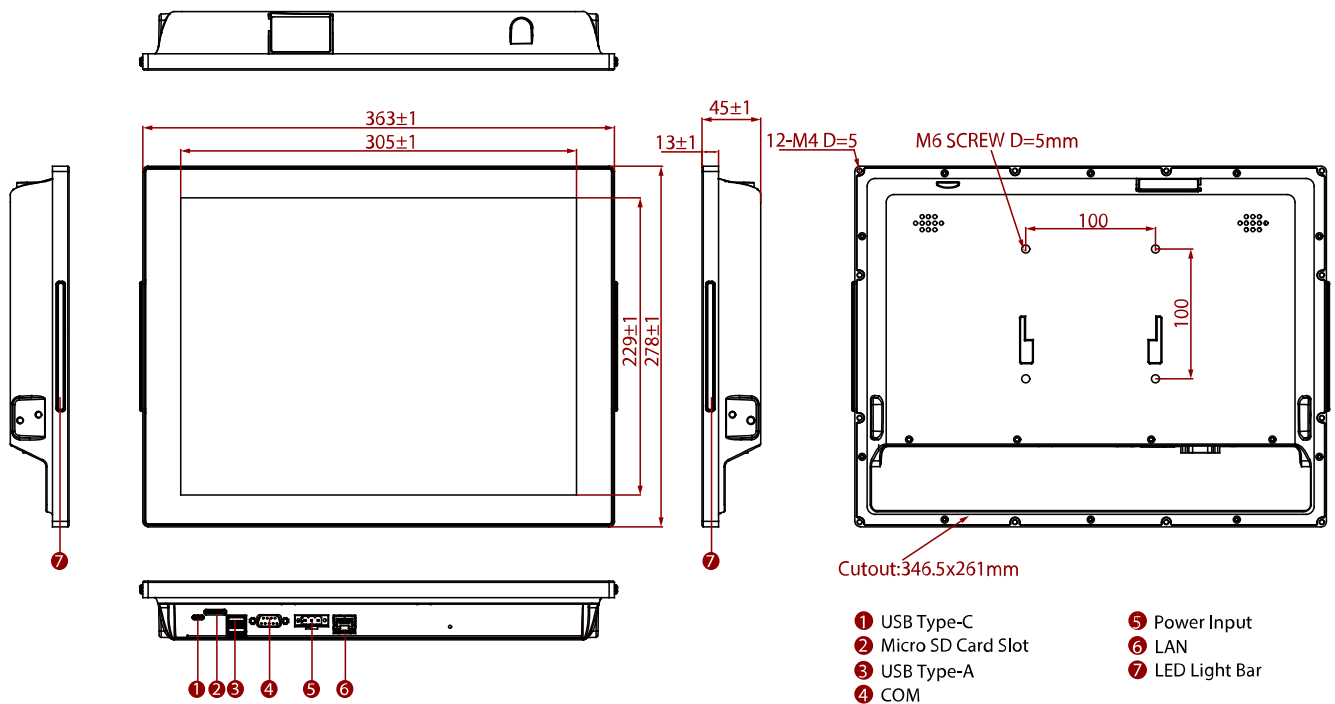
Power Rating	12V DC with Terminal Block 9~36V (Optional)	Adapter	12V 50W
POE	PoE (PD): follows IEEE 802.3at (25 W)		

Camera

Front Camera	2MP Camera (Optional)
---------------------	-----------------------

DIMENSIONS UNIT:MM

Winmate R15IQ3S-PCC3-POEAC



NOTE

1. This is a simplified drawing and some components are not marked in detail.
2. The product shown in this datasheet is a standard model. For diagrams that contain customized or optional I/O, please contact the Winmate Sales Team for more information.
3. All specifications are subject to change without prior notice.