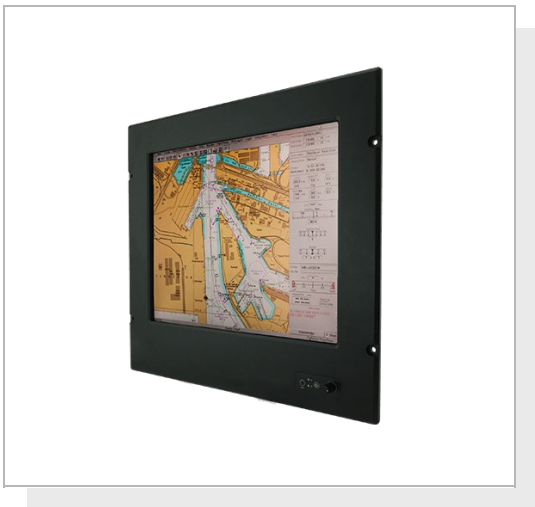


R15IV3S-MRM2

15" Intel® Core™ i7-3517UE Marine Panel PC



KEY FEATURES

- Intel® Core™ i7-3517UE processor Marine Panel PC
- Dimming knob control backlight brightness from nearly 0% to 100%
- Transflective film technology enhances visibility
- Panel (flush) mount IP66 aluminum housing with powder coating design (IP54 rear)
- 9~36V DC power input acceptable



SPECIFICATIONS

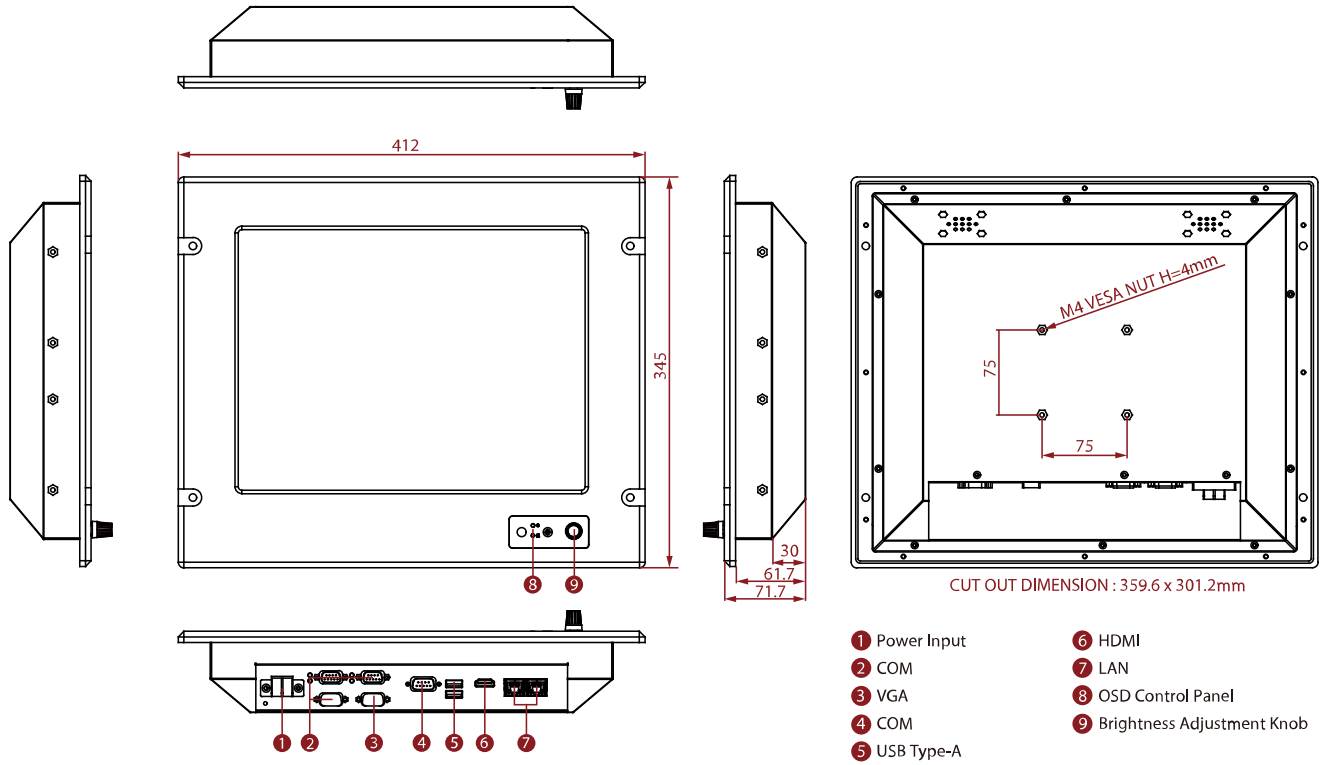
Display			
Touch / Glass	Resistive Touch Screen AR Glass (Optional)	Resolution	1024x768
Size	15.0 inches	Contrast Ratio	2000:1
Panel Brightness	300 nits	View Angles	88,88,88,88
System Specification			
Processor	Intel® Core™ i7-3517UE (4M Cache, up to 2.80 GHz)	Chipset	Intel® HM76
Memory	1 x SO-DIMM, DDR3L 1600 MHz, 4GB 8GB (Optional)	Storage	1 x mSATA SSD 64GB mSATA SSD up to 512GB (Optional)
Ethernet controller	Intel® 82574L Gigabit Ethernet Controller + Intel® 82579LM Gigabit Ethernet PHY	Operating System	Windows 7 Embedded Systems (Optional) Windows 10 IoT Enterprise (Optional) Linux Ubuntu 18.04 (Optional)
Environment			
Operating Humidity	5% to 95%	Operating Temperature	-15~55°C
Shock	15G, 11ms duration	Vibration	0.7g@DNVGL CG-0339 (Class A)
IP rating	IP66 (Front Side)		
Certification			
Certification	CE, FCC		
Mechanical			
Dimension	412 x 345 x 71.7 mm	Mounting	VESA Mount/ Panel Mount
Enclosure	Metal Housing with Aluminum Bezel	Cooling System	Fanless Design
IO Ports			
USB Port	2 x USB 3.0	Serial Port	1 x RS232, 1 x RS232/422/485 2 x RS232 or 2 x Isolation RS422/485 (Optional)
Video	1 x VGA 1 x HDMI (Optional)	LAN	2 x RJ45-10/100/1000 Mbps
Accessory			
Accessory	Driver CD & User Manual 4 x M6 Black Screw Bolt with M6 Nut		
Power			

Power Rating 24V DC-in with Isolation (Approval by Certificate)
9~36V DC Input Accpetable

Control

Button 1 x Power Button
1 x Reset Button
1 x The Dimming Knob

DIMENSIONS UNIT:MM



NOTE

1. This is a simplified drawing and some components are not marked in detail.
2. Please contact our sales representative if you need further product information.
3. All specifications are subject to change without prior notice.
4. The product shown in this datasheet is a standard model. For diagrams that contain customized or optional I/O, please contact the Winmate Sales Team for more information.