

# R15L100-67C3(HB)

## 15" G-WIN IP67 Series Display



### KEY FEATURES

- High Quality 15" XGA Panel, 1024 x 768 resolution, 1000 nits
- Full IP67 Dust Water-proof Protection
- Aluminum Housing with Anti-Corrosion Treatments
- Built-in ambient Light sensor
- Optical Bonding with Anti Moisture Treatments
- Anti-Shock and Vibration Standard according to IEC60068-2-27
- 5 Wire Resistive Touchscreen / Anti-Reflective Protection Glass
- 9V ~ 36V DC Isolation Wide Range Power Input
- Compliance with EN50155



### SPECIFICATIONS

Display	
<b>Resolution</b>	1024x768
<b>Contrast Ratio</b>	2000:1
<b>Display Color</b>	16.2M Colors
<b>Active Area</b>	304.1x228.1 mm
<b>Optional function</b>	High brightness Panel for sunlight readable (Optional)
<b>Size</b>	15 inches
<b>Panel Brightness</b>	300 nits
<b>View Angles</b>	88,88,88,88
<b>Touch / Glass</b>	Resistive Touch Screen Bonding With Panel Protection Glass Without touch function (Optional)
Mechanical	
<b>Dimension</b>	398 x 308 x 58 mm
<b>Enclosure</b>	Aluminum Housing
<b>Mounting</b>	VESA Mount Yoke Mount
<b>Cooling System</b>	Fanless design
Environment	
<b>Operating Humidity</b>	10% to 90% (non-condensing)
<b>Storage Temperature</b>	-30~70°C
<b>Vibration</b>	MIL-STD-810G Method 514.6
<b>Operating Temperature</b>	-10~60°C -40~70°C (with intelligent heater) (Optional)
<b>Shock</b>	MIL-STD-810G Method 516.6 (Optional)
<b>IP rating</b>	IP67
Certification	
<b>Certification</b>	CE, FCC
IO Ports	
<b>Power Input</b>	1 x M12 waterproof connector for 9~36V DC
<b>Serial Port</b>	1 x M12 type connector for Touchscreen via RS232 signal (Optional)
<b>Indicator</b>	1 x LED Indicator for power 1 x LED Indicator for status
<b>USB Port</b>	1x M12 type connector for Touchscreen via USB signal
<b>Video</b>	1x M12 type connector for VGA input 1x M21 type connector for HDMI input (Optional)
Control	
<b>Button</b>	1 x Power Button 1 x Adjust up button 1 x Adjust down button 1 x ESC (Auto) button 1 x OK (Menu) button

## Accessory

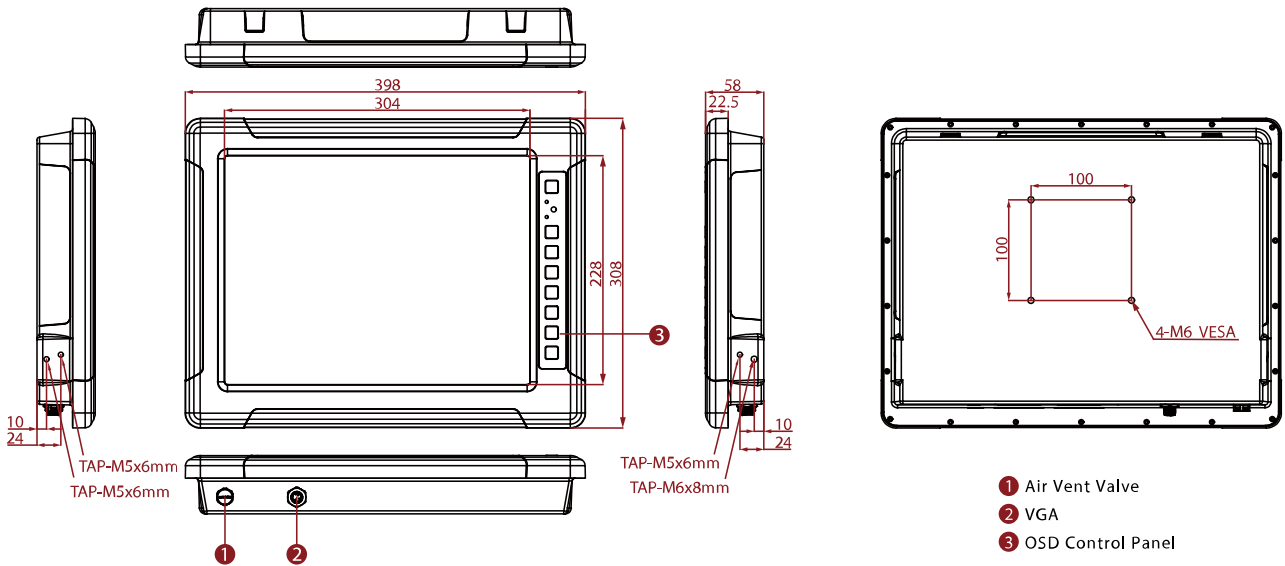
**Accessory** External open wire Power cable with waterproof connector  
External USB cable with waterproof connector  
External VGA cable with waterproof connector  
Waterproof caps  
Driver CD & Manual  
VESA screws

**Optional Accessory** Yoke mount stand (Optional)  
100~240V AC to DC Adapter with power cord (Optional)  
External COM cable with waterproof connector (Optional)  
External HDMI cable with waterproof connector (Optional)

## System Specification

### DIMENSIONS UNIT:MM

#### Winmate R15L100-67C3(HB)



### NOTE

1. This is a simplified drawing and some components are not marked in detail.
2. The product shown in this datasheet is a standard model. For diagrams that contain customized or optional I/O, please contact the Winmate Sales Team for more information.
3. All specifications are subject to change without prior notice.