

# R15L100-MLA3HB

## 15" G-WIN Defence Display



### KEY FEATURES

- 15" 1024 x 768 resolution
- Compliant MIL-STD 810G/ MIL-STD 461E
- Fanless design and efficient heat dissipation
- Supports VESA mount
- AR protection glass
- Military-grade connectors
- Convenient on-screen display controls
- Power input 12 V DC military-grade connector (Optional 9-36 V DC wide range )



### SPECIFICATIONS

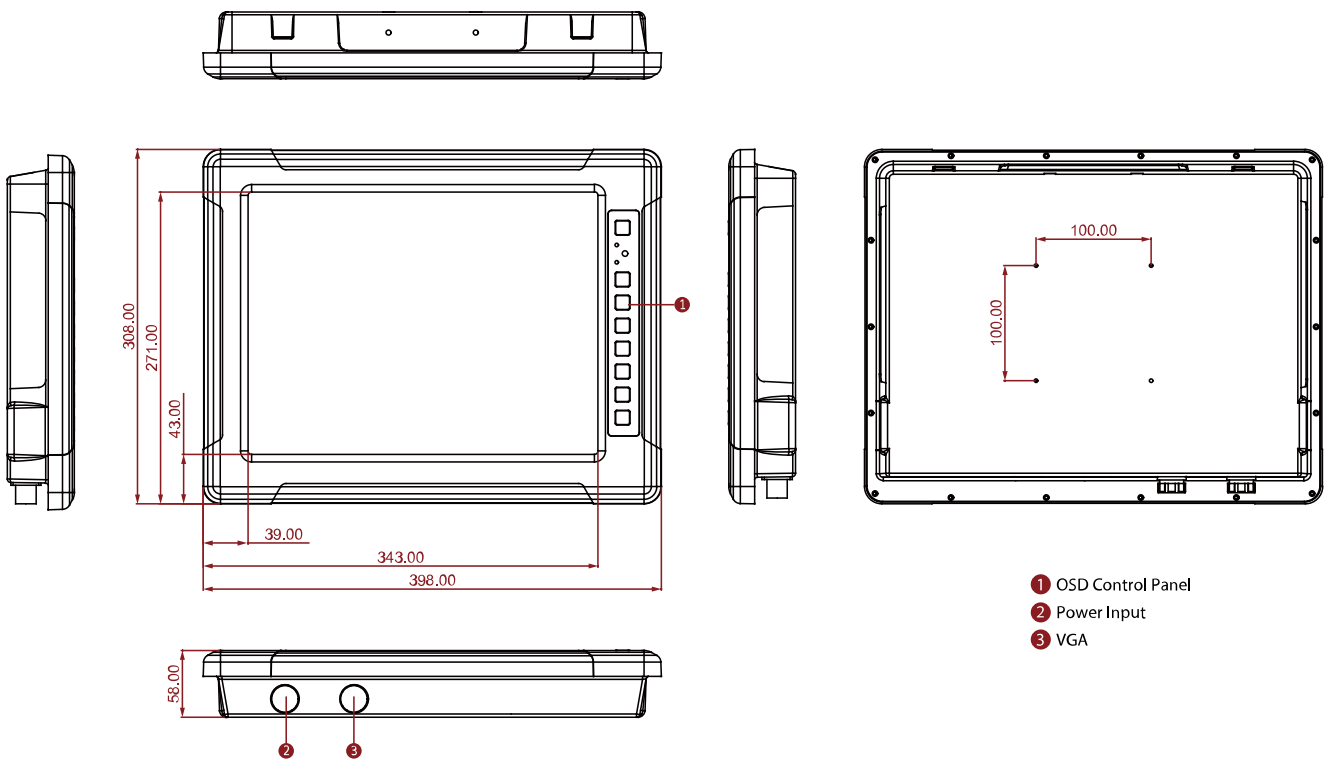
Display	
<b>Resolution</b>	1024x768
<b>Contrast Ratio</b>	2500:1
<b>Display Color</b>	16.7M Colors
<b>Active Area</b>	304.1x228.1 mm
<b>Size</b>	15 inches
<b>Panel Brightness</b>	1000 nits
<b>View Angles</b>	88,88,88,88
<b>Touch / Glass</b>	AR Protection Glass 5 Wires Resistive Touch (Optional) 5 Wire Resistive with EMI Mesh Filter (Optional) EMI Glass (Optional)
Environment	
<b>Operating Humidity</b>	10% to 95% RH
<b>Storage Temperature</b>	-30°C~70°C
<b>Vibration</b>	Operating: 1.60/1.96/2.18 g rms for XYZ / 5-500Hz
<b>Operating Temperature</b>	-20°C~60°C
<b>Shock</b>	Operating:30g for 18ms
Compliance	
<b>MIL-STD 461E/F</b>	RE101 / RE102 CE101 / CE102 with EMI Glass / Touch(Optional) RS101 / RS 103 CS101 / CS 106 / CS 109 / CS 114 / CS 115 / CS 116
<b>MIL-STD 810F/G</b>	Vibration Method 514.5 Humidity Method 507.4 Transit Drop Method516.5
Certification	
<b>Certification</b>	CE, FCC
IO Ports	
<b>USB Port</b>	1 x USB for Touch Screen(Military Grade) (Optional)
<b>Serial Port</b>	1 x RS232 for Touch Screen(Military Grade) (Optional)
<b>Video</b>	1 x VGA(Military Grade)
Mechanical	
<b>Dimension</b>	398 x 308 x 58 mm
<b>Enclosure</b>	Metal Housing with Aluminum Bezel
<b>Mounting</b>	VESA Mount
<b>Cooling System</b>	Fanless Design
Accessory	
<b>Accessory</b>	User Manual

Touch Driver CD  
 Open Wire Cable  
 AC Adapter  
 Power Cord

<b>Power</b>	
<b>Power Rating</b>	12V DC (MIL-DTL-38999/1 connector) 9V to 36V wide range (Optional)
<b>Control</b>	

<b>Button</b>	8 key: Power Menu Auto Volume Up/ Swap Volume Down/ PIP Brightness Up Brightness Down LED Adjustment
---------------	--

**DIMENSIONS** UNIT:MM



- ① OSD Control Panel
- ② Power Input
- ③ VGA

**NOTE**

1. This is a simplified drawing and some components are not marked in detail.
2. If you require an external test report, Winmate will charge an NRE fee.
3. Please contact our sales representative if you need further product information.
4. All specifications are subject to change without prior notice.
5. The product shown in this datasheet is a standard model. For diagrams that contain customized or optional I/O, please contact the Winmate Sales Team for more information.