

R15L100-POC3-C

15" USB Type-C Open Frame Display



KEY FEATURES

- 15", 1024 x 768
- USB Type-C connector
- Open frame
- VESA mount
- PCAP touch

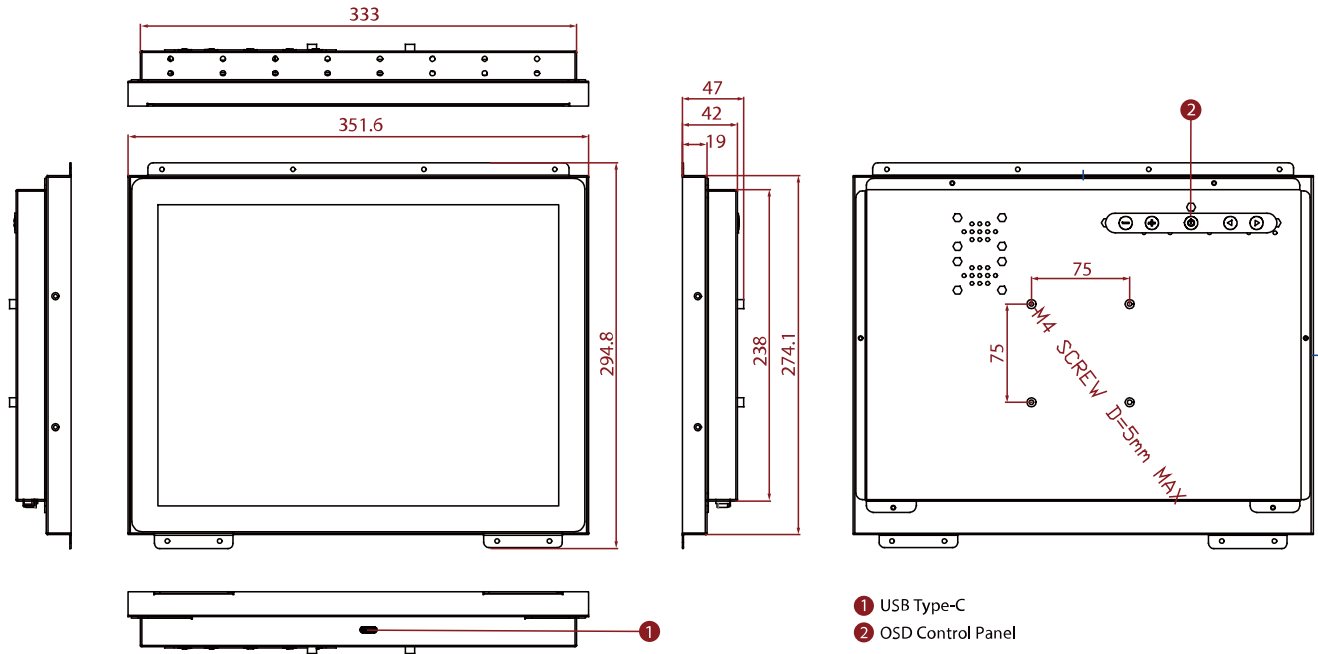


SPECIFICATIONS

Display	
Resolution	1024x768
Contrast Ratio	2000:1
Display Color	16.2M Colors
Touch / Glass	Projected Capacitive Multi Touch Screen Protection Glass (Optional) Anti-glare Coating (Optional)
Size	15.0 inches
Panel Brightness	300 nits
View Angles	88,88,88,88
Environment	
Operating Humidity	10% to 90% (non-condensing)
Storage Temperature	-10~60°C
Operating Temperature	0~50°C
Certification	
Certification	CE, FCC
IO Ports	
USB Port	1 x USB Type-C Connector
Audio	2 x Speaker (Optional)
Mechanical	
Dimension	351.6 x 274.1 x 47 mm
Enclosure	Metal
Cut out	338.4 x 295 mm
Mounting	VESA Mount/ Panel Mount
Cooling System	Fanless Design
Accessory	
Accessory	User Manual
Optional Accessory	Standard USB-C Cable (Optional) Lockable USB-C to Standard USB-C Cable (Optional) Waterproof USB-C to Standard USB-C Cable (Optional)
Power	
Power Rating	USB Type-C Alt mode (5V/3A)
Control	
Button	5 Keys: -, +, Power, Esc, Enter

DIMENSIONS UNIT:MM

Winmate R15L600-POC3-C



NOTE

1. This is a simplified drawing and some components are not marked in detail.
2. The product shown in this datasheet is a standard model. For diagrams that contain customized or optional I/O, please contact the Winmate Sales Team for more information.
3. All specifications are subject to change without prior notice.