

R15L600-65EX

15" IP65 Stainless ATEX LCD Monitors



KEY FEATURES

- Class 1, Division 2 & ATEX Zone 2 application certification, ATEX LCD Monitors
- 15" 1024 x 768, 550 nits (Optional 1000 nits) LCD Panel
- Explosion-proof 5-wire resistive touch
- Stainless steel design
- IP65 Certified, dust-proof and water-resistant
- Wide temperature range -20°C to 50°C



SPECIFICATIONS

Display	
Touch / Glass	Resistive Touch Screen Bonding With Panel (Explosion-Proof)
Size	15 inches
Panel Brightness	550 nits 1000 nits(Optional)
View Angles	88,88,88,88
Resolution	1024x768
Contrast Ratio	2000:1
Display Color	16.2M Colors
Active Area	304.1x228.1 mm
Mechanical	
Dimension	396 x 310 x 49 mm
Enclosure	Stainless Housing
Mounting	VESA Mount
Cooling System	Fanless design
Environment	
Operating Humidity	10% to 95% (non-condensing)
Operating Temperature	-20~50°C
Storage Temperature	-20~50°C
Shock	MIL-STD-810G Method 516.6 (Optional)
Vibration	MIL-STD-810G Method 514.6
Drop	MIL-STD-810G Method 516.6
IP rating	IP65
Certification	
Certification	CE, FCC UL60950-1, CSA C22.2 No. 60950-1-07, EN 62368-1, IEC60950-1 ATEX Zone 2 EX II 3 G Ex ic nA IIC Gc UL Class I, Div.2, Groups ABCD T4 ANSI/ISA12.12.01 CAN/CSA C22.2 No. 213-M1987
IO Ports	
Power Input	1 x 9~36V DC, M12 Type connector
Serial Port	1 x M12 type connector for Touch 1 x M12 type connector for RS232 remote control (Optional)
Indicator	1 x LED Indicator for power 1 x LED Indicator for standby
USB Port	1x M12 type connector for Touchscreen
Video	1x M12 type connector for VGA input
Control	
Button	1 x Power Button

- 1 x Adjust up button
- 1 x Adjust down button
- 1 x ESC (Auto) button
- 1 x OK (Menu) button

Accessory

Accessory

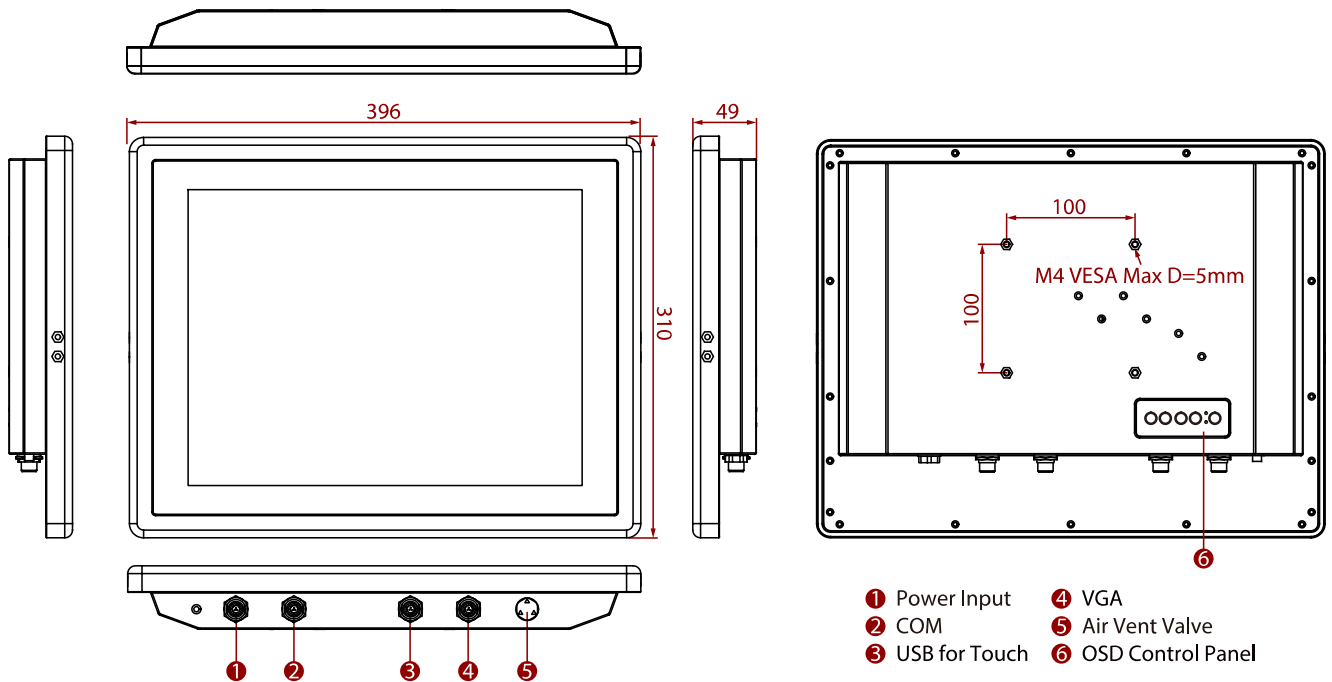
- 100~240V AC to DC Power Adapter with M12 Connector
- Power Cord
- M12 Type Power Cable
- M12 Type RS232 Male Cable for remote control
- M12 Type USB Male Cable for Touch
- M12 Type VGA Cable
- Driver CD & Manual
- VESA screws

Optional Accessory M12 Type RS232 Male Cable for touchscreen control (Optional)

System Specification

DIMENSIONS UNIT:MM

Winmate R15L600-65EX



NOTE

1. Total usable memory will be less depending upon actual system configuration
2. Length measurements do not include protrusions. Weight varies with options.
3. Accessories and integrated options may vary depending on your configuration
4. This is a simplified drawing and some components are not marked in detail.
5. All specifications are subject to change without prior notice.
6. The product shown in this datasheet is a standard model. For diagrams that contain customized or optional I/O, please contact the Winmate Sales Team for more information.