

R15L600-GCC3-C

15" USB Type-C Chassis Display



KEY FEATURES

- 15", 1024 x 768
- USB Type-C connector
- Chassis
- VESA mount
- PCAP touch
- Front IP65

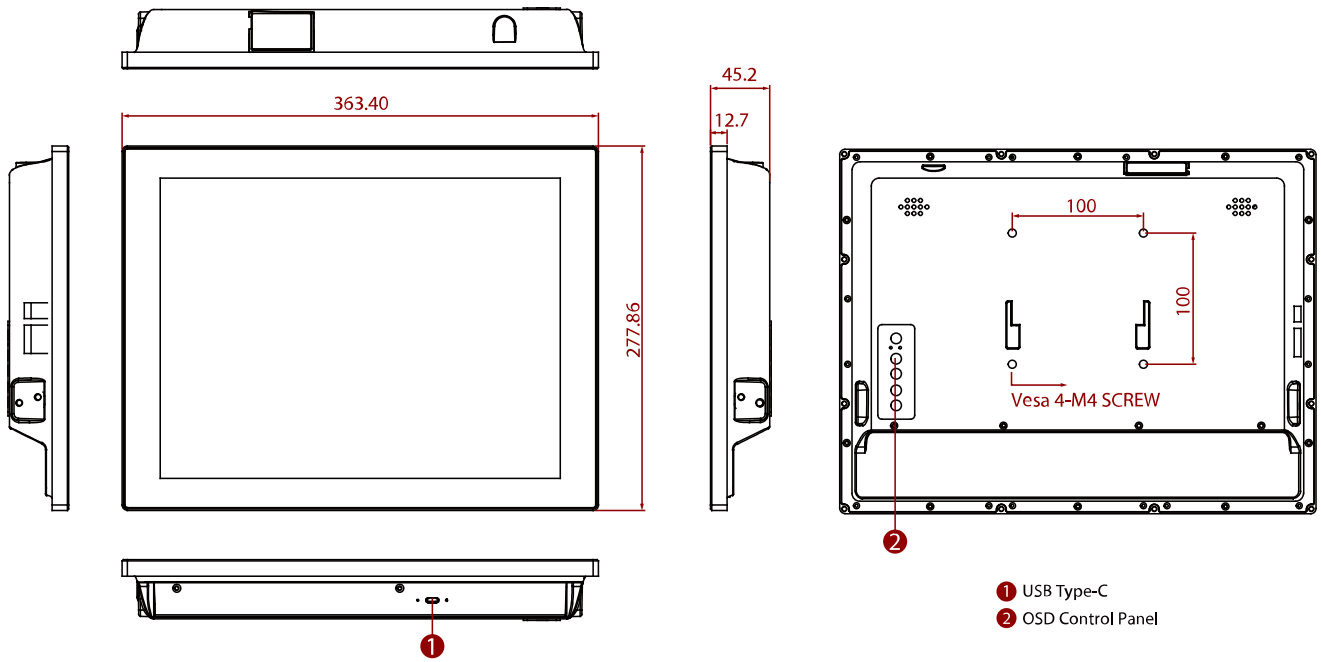


SPECIFICATIONS

Display			
Resolution	1024x768	Size	15.0 inches
Contrast Ratio	2000:1	Panel Brightness	300 nits
Display Color	16.2M Colors	View Angles	88,88,88,88
Touch / Glass	Projected Capacitive Multi Touch Screen Protection Glass (Optional) Anti-glare Coating (Optional)		
Environment			
Operating Humidity	10% to 90% (non-condensing)	Operating Temperature	0~50°C
Storage Temperature	-10~60°C		
Certification			
Certification	CE, FCC		
IO Ports			
USB Port	1 x USB Type-C Connector	Audio	1 x Speaker (Optional)
Mechanical			
Dimension	363.4 x 277.86 x 45.20 mm	Mounting	VESA Mount/ Panel Mount
Enclosure	Aluminum	Cooling System	Fanless Design
Accessory			
Accessory	User Manual	Optional Accessory	Lockable USB-C to Standard USB-C Cable (Optional) Waterproof USB-C to Standard USB-C Cable (Optional) Dual-side Lockable USB Type-C Cable (Optional)
Power			
Power Rating	USB Type-C Alt mode (5V/3A)		
Control			
Button	5 Keys: -, +, Power, Esc, Enter		

DIMENSIONS UNIT:MM

Winmate R15L600-POC3-C



NOTE

1. This is a simplified drawing and some components are not marked in detail.
2. The product shown in this datasheet is a standard model. For diagrams that contain customized or optional I/O, please contact the Winmate Sales Team for more information.
3. All specifications are subject to change without prior notice.