

R15L600-MLA3FP

15" PCAP Rack Mount Defence Display



KEY FEATURES

- 15", 1024 x 768 resolution
- Compliant MIL-STD 810G/ MIL-STD 461E
- Rack mount mechanical design, supports VESA mount
- PCAP multi-touch screen
- Military-grade power connector (MIL-DTL-38999/1)
- AC 100~240V, Universal, ±10%; DC 9~36V, ±10% (Optional)
- Convenient on-screen display controls

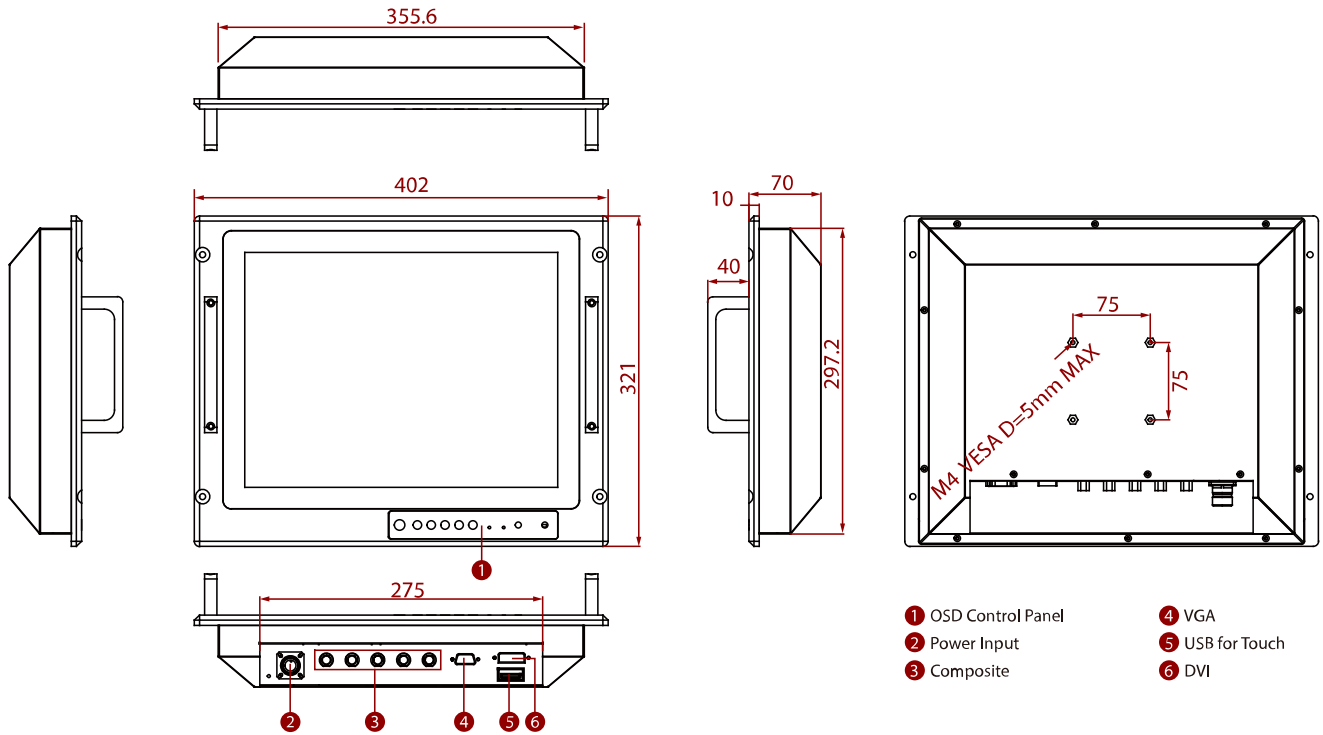


SPECIFICATIONS

Display	
Resolution	1024x768
Contrast Ratio	2500:1
Display Color	16.7M Colors
Active Area	304.1x228.1 mm
Size	15 inches
Panel Brightness	500 nits
View Angles	88,88,88,88
Touch / Glass	Projected Capacitive Multi Touch Screen PCAP with With ITO Flim (Optional)
Environment	
Operating Humidity	10% to 95% RH
Storage Temperature	-30°C~70°C
Operating Temperature	-20°C~60°C
Compliance	
MIL-STD 461E/F	RE101 / RE102 CE101 / CE102 with EMI Glass / Touch(Optional) RS101 / RS 103 CS101 / CS 106 / CS 109 / CS 114 / CS 115 / CS 116
MIL-STD 810F/G	Vibration Method 514.5 Humidity Method 507.4 Transit Drop Method516.5
Certification	
Certification	CE, FCC
IO Ports	
USB Port	1 x USB for Touch
Video	1 x VGA 5 x BNC (R,G,B,H,V) 1 x DVI-D
Mechanical	
Dimension	402 x 321 x 70 mm
Enclosure	Metal Housing with Aluminum Bezel
Mounting	Rack Mount/ VESA Mount
Cooling System	Fanless Design
Accessory	
Accessory	1 x User Manual(Hardcopy) 1 x Power Cord MIL-DTL-38999/1 1 x VGA Cable 1 x DVI Cable 1 x VGA to 5 BNC Shielding Cable

Power	
Power Rating	AC 100~240V, Universal, ±10% DC 9~36V, ±10% (Optional)
Control	
Button	7 key: Power Decrease Increase Exit/ Auto Menu Day/ Night Lock/ Unlock

DIMENSIONS UNIT:MM



NOTE

1. The product shown in this datasheet is a standard model. For diagrams that contain customized or optional I/O, please contact the Winmate Sales Team for more information.