

# R17IBWS-MHM1

## 17" Intel® Atom® E3845 M Series HMI Panel PC



### KEY FEATURES

- Projected Capacitive Multi Touch Screen
- Fanless Design touch screen monitor
- Modular design for easy service in the field
- Support wide range 12-24V DC input
- One Quick & Easy Removable 2.5" SSD Bay Slot

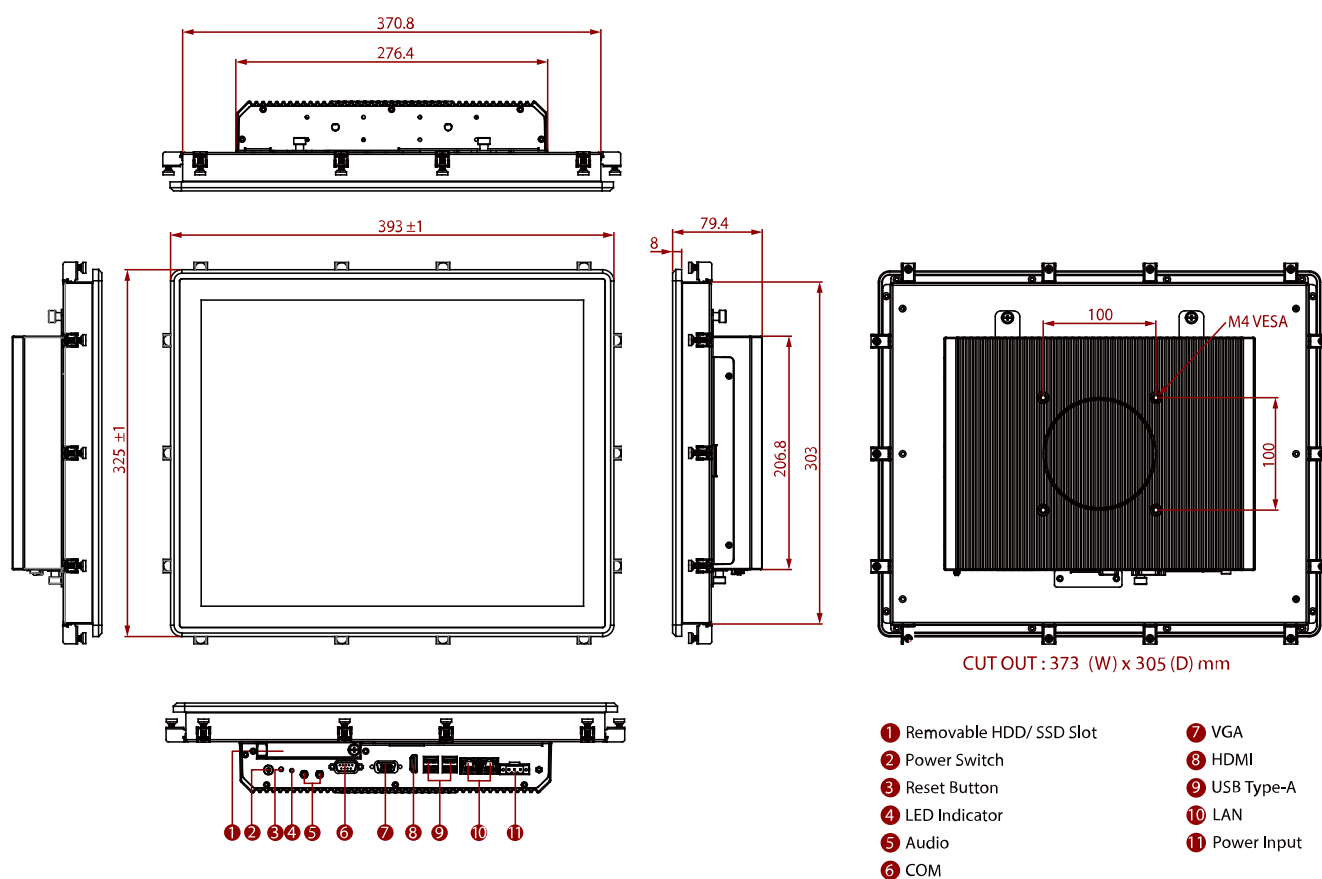


### SPECIFICATIONS

Display			
<b>Resolution</b>	1280x1024	<b>Size</b>	17 inches
<b>Contrast Ratio</b>	1000:1	<b>Panel Brightness</b>	350 nits
<b>View Angles</b>	85,85,80,80	<b>Active Area</b>	337.920x270.336 mm
<b>Touch / Glass</b>	Projected Capacitive Multi Touch Screen		
System Specification			
<b>Processor</b>	Intel® Atom® E3845 (2M Cache, 1.91 GHz)	<b>Memory</b>	2 x SO-DIMM, DDR3L 1600 MHz, 4GB 8GB (Optional)
<b>Storage</b>	1 x mSATA 64GB 1 x 2.5" 64GB SSD up to 512GB (Optional)	<b>Ethernet controller</b>	2 x Intel® Ethernet Controller I211-AT
<b>Security</b>	TPM 1.2	<b>Operating System</b>	Windows 7 Embedded Systems (Optional) Windows 10 IoT Enterprise (Optional) Linux Ubuntu 18.04 (Optional)
<b>WLAN</b>	Support (Optional)	<b>BT</b>	Support (Optional)
<b>Expansion Port</b>	Modular Design for easy service in the field		
Mechanical			
<b>Dimension</b>	393 x 325 x 79.4 mm	<b>Mounting</b>	Panel mount VESA Mount
<b>Enclosure</b>	Metal Housing	<b>Cooling System</b>	Fanless design
<b>Cut out</b>	373x305mm		
Environment			
<b>Operating Humidity</b>	10% to 90% (non-condensing)	<b>Operating Temperature</b>	0~50°C
<b>Storage Temperature</b>	-20~60°C	<b>IP rating</b>	Front IP65
Certification			
<b>Certification</b>	CE, FCC		
IO Ports			
<b>Power Input</b>	1 x 12~24V DC, 3-Pin Terminal Block	<b>USB Port</b>	4 x USB2.0 (Type-A)
<b>Serial Port</b>	1 x RS232/422/485 (Default RS232)	<b>Video</b>	1 x HDMI 1.4 (Optional) 1 x VGA (Optional)
<b>Audio</b>	Line in Line out	<b>Expansion Port</b>	1 x mPCIe slot(for half size Wifi module) Swappable 2.5" HDD/SSD Bay Slot

<b>LAN</b>	2 x Giga LAN RJ45 Connector	<b>Indicator</b>	1 x LED Indicator for storage
<b>mini PCIe</b>	1 x Mini PCIe(For WLAN)		
<b>Control</b>			
<b>Button</b>	1 x Power Button with LED Indicator 1 x Reset Button		
<b>Accessory</b>			
<b>Accessory</b>	100~240V AC to DC Adapter Power Cord Open Wire Cable with terminal block connector Driver CD & Manual Mounting clips VESA screws		
<b>Power</b>			
<b>Power Rating</b>	12V~24V DC with protection fuse	<b>Adapter</b>	12V 80W

## DIMENSIONS UNIT:MM



## NOTE

1. This is a simplified drawing and some components are not marked in detail.
2. The product shown in this datasheet is a standard model. For diagrams that contain customized or optional I/O, please contact the Winmate Sales Team for more information.
3. All specifications are subject to change without prior notice.