

R19IK7T-POM1

19" Intel® Core™ i3/i5/i7 PO Series HMI Panel PC



KEY FEATURES

- 19" 1280 x 1024 Resolution
- 7th Gen. Intel® Core™ i3/i5/i7 processor (Kabylake)
- Flexible storage devices, one 2.5-inch HDD and one SSD
- Multiple I/Os, 2 x Serial Ports, 4 x USB 3.0 Ports
- 12 V DC Power input
- DP Support 4096 x 2304 @ 60 Hz
- HDMI Support 4096 x 2304 @ 24 Hz



SPECIFICATIONS

Display	
Resolution	1280x1024
Contrast Ratio	1000:1
View Angles	85,85,80,80
Touch / Glass	Projected Capacitive Multi Touch Screen
Size	19 inches
Panel Brightness	250 nits
Active Area	376.32x301.06 mm
System Specification	
Processor	Intel® Core™ i7-7700T (8M Cache, 2.9 GHz up to 3.80 GHz) Intel® Core™ i5-7500T (6M Cache, 2.7GHz up to 3.30 GHz) Intel® Core™ i3-7100T (4M Cache, 3.34 GHz)
Chipset	Intel® H170
Memory	1 x SO-DIMM, DDR4 2400 MHz, 4GB 8GB (Optional) 16GB (Optional) 2 x SO-DIMM, up to 32GB (Optional)
Storage	1 x M.2 2242 B-key SSD 64GB. M.2 2242 B-key SSD Up to 512GB. (Optional) 1 x 2.5" SSD / HDD (Optional) 2 x SATA III support RAID 0,1 (Optional)
Ethernet controller	Intel® Ethernet Controller I211-AT + Intel® Ethernet Connection I219-LM
Security	TPM 2.0
Operating System	Windows 10 IoT Enterprise (Optional) Linux Ubuntu 18.04 (Optional) Linux Ubuntu 20.04 (Optional)
WLAN	Support (Optional)
BT	Support (Optional)
Mechanical	
Dimension	457 x 382 x 62 mm
Mounting	Open Frame panel mount VESA Mount
Enclosure	Metal Housing
Cooling System	Fan design
Environment	
Operating Humidity	10% to 90% (non-condensing)
Operating Temperature	0~50°C
Storage Temperature	-10~60°C
Certification	
Certification	CE, FCC
IO Ports	
Power Input	1 x 12V DC, Din4 pin connector
USB Port	4 x USB3.2 Gen.1 (Type-A)

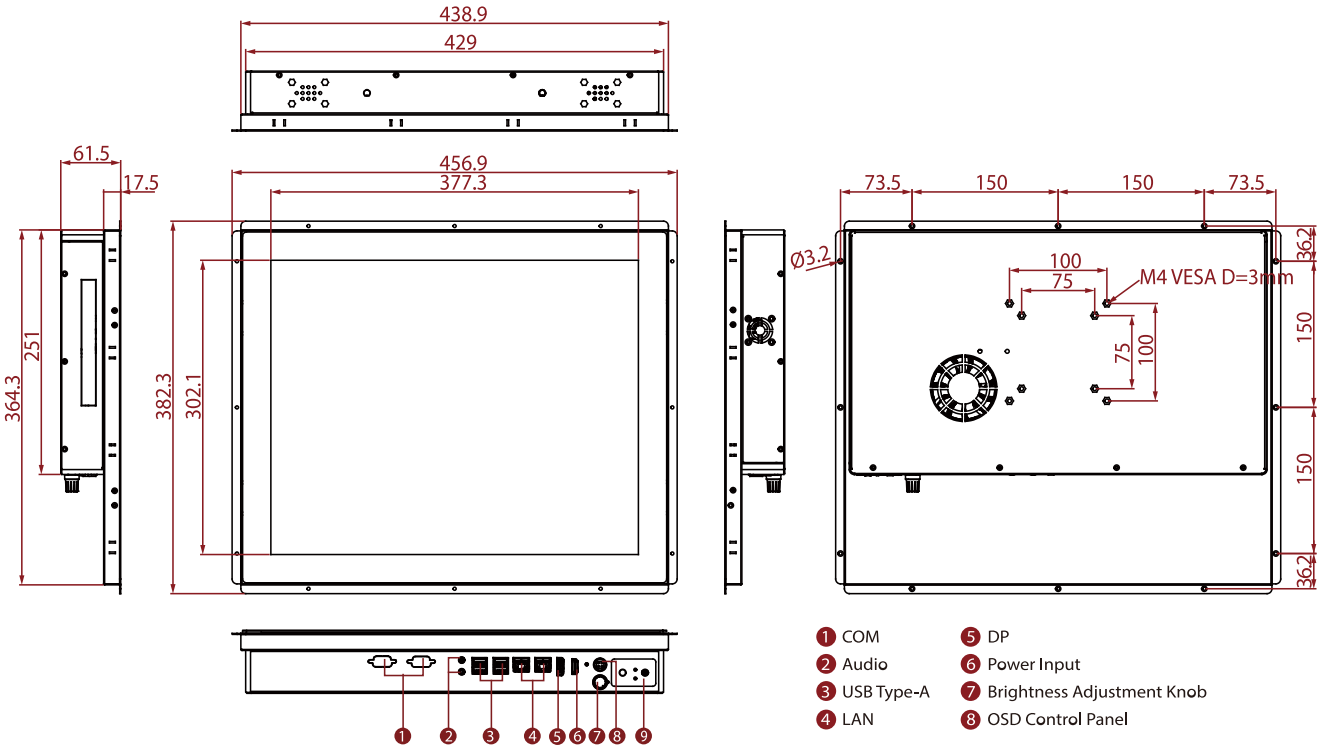
Serial Port	1 x RS232/422/485 (Default RS232) 1 x RS232	Video	1 x DP1.2 1 x HDMI 1.4 (Optional)
Audio	1 x Mic in 1 x Line out 2 x Speaker	Expansion Port	2 x M.2 slot(1 for WiFi, 1 for SSD) 1 x PCIe x 16 (Optional)
LAN	2 x Giga LAN RJ45 Connector	Indicator	1 x LED Indicator for power 1 x LED Indicator for storage
Brightness Knob	1 x Brightness Adjustment Knob		

Control	
Button	1 x Power Button 1 x Reset Button

Accessory	
Accessory	100~240V AC to DC Adapter Power Cord Driver CD & Manual VESA screws

Power			
Power Rating	12V DC (Lockable Power Jack)	Adapter	12V 120W

DIMENSIONS UNIT:MM
Winmate R19K7T-POM1



- NOTE**
1. This is a simplified drawing and some components are not marked in detail.
 2. The product shown in this datasheet is a standard model. For diagrams that contain customized or optional I/O, please contact the Winmate Sales Team for more information.
 3. All specifications are subject to change without prior notice.