

R19L300-RKM1

19" rack mount monitor



KEY FEATURES

- 19", 1280 x 1024
- VGA and HDMI input
- Rack mount monitor
- VESA mount
- Rackmount touchscreen monitor
- Rack Console with 19 in LCD

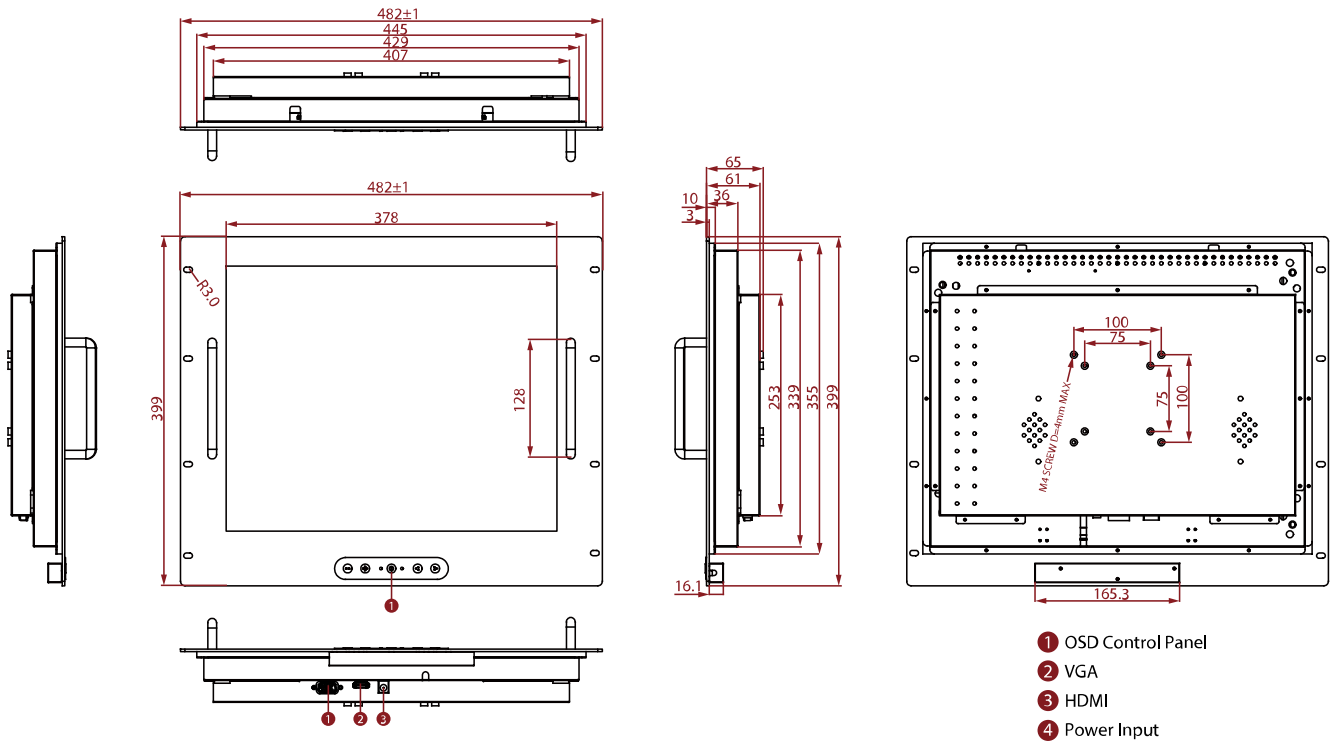


SPECIFICATIONS

Display	
Resolution	1280x1024
Contrast Ratio	1000:1
Display Color	16.7M Colors
Active Area	376.32x301.06 mm
Size	19.0 inches
Panel Brightness	250 nits
View Angles	85,85,80,80
Touch / Glass	Resistive Touch Screen Protection Glass w/o Touch Function (Optional) SAW Touch (Surface Acoustic Wave) (Optional)
Environment	
Operating Humidity	10% to 90% (non-condensing)
Storage Temperature	-10~60°C
Operating Temperature	0~50°C
Certification	
Certification	CE, FCC
IO Ports	
USB Port	1 x USB for Touch Screen
Audio	Audio line in (3.5mm) + 2 x Speaker (Optional)
Video	1 x VGA 1 x HDMI (Optional) 1 x DVI (Optional)
Mechanical	
Dimension	482.6 x 399 x 61 mm
Enclosure	Metal Housing with Aluminum Bezel
Mounting	VESA Mount/Rack Mount
Cooling System	Fanless Design
Accessory	
Accessory	1 x VGA cable 1 x HDMI cable 100~240V AC to DC Adapter Power Cord Manual VESA screws(Varies by product)
Optional Accessory	Remote Controller (Optional,Varies by product)
Power	
Power Rating	12V DC input
Control	
Button	5 Keys: -, +, Power, Esc, Enter

DIMENSIONS UNIT:MM

Winmate R19L300-RKM1



NOTE

1. This is a simplified drawing and some components are not marked in detail.
2. Please contact our sales representative if you need further product information.
3. All specifications are subject to change without prior notice.
4. The product shown in this datasheet is a standard model. For diagrams that contain customized or optional I/O, please contact the Winmate Sales Team for more information.