

R20L100-RKA2ML

20.1" Rack Mount Protective Glass Defence Display



KEY FEATURES

- Compliant MIL-STD 810G/ MIL-STD 461E Rack Mount Protective Glass Defence Display
- Rack mount mechanical design, supports VESA mount
- High image quality, 1600 x 1200 pixels resolution
- AR protection glass
- Military-grade power connector (MIL-DTL-38999/1)
- AC 100~240V, Universal, $\pm 10\%$; DC 9~36V, $\pm 10\%$ (Optional)
- Resistive Touch (Optional)
- Build-in Light Sensor for Auto Brightness Control



SPECIFICATIONS

Display	
Resolution	1600x1200
Contrast Ratio	1400:1
Display Color	16.7M Colors
Active Area	408x306 mm
Size	20.1 inches
Panel Brightness	330 nits
View Angles	85,85,85,85
Touch / Glass	Protection Glass
Environment	
Operating Humidity	10% to 95% RH
Storage Temperature	-10°C~60°C
Operating Temperature	0~50°C
Compliance	
MIL-STD 461E/F	RE101 / RE102 CE101 / CE102 with EMI Glass / Touch(Optional) RS101 / RS 103 CS101 / CS 106 / CS 109 / CS 114 / CS 115 / CS 116
MIL-STD 810F/G	Vibration Method 514.5 Humidity Method 507.4 Transit Drop Method 516.5
Certification	
Certification	CE, FCC
IO Ports	
Video	1 x 15 Pin D-Sub 5 x BNC 1 x DVI-D
Mechanical	
Dimension	482.6 x 399.3 x 80 mm
Enclosure	Metal Housing with Aluminum Bezel
Mounting	Rack Mount/ VESA Mount
Cooling System	Fanless Design
Power	
Power Rating	AC 100~240V, Universal, $\pm 10\%$ DC 9~36V, $\pm 10\%$ (Optional)
Accessory	
Accessory	1 x User Manual(Hardcopy)

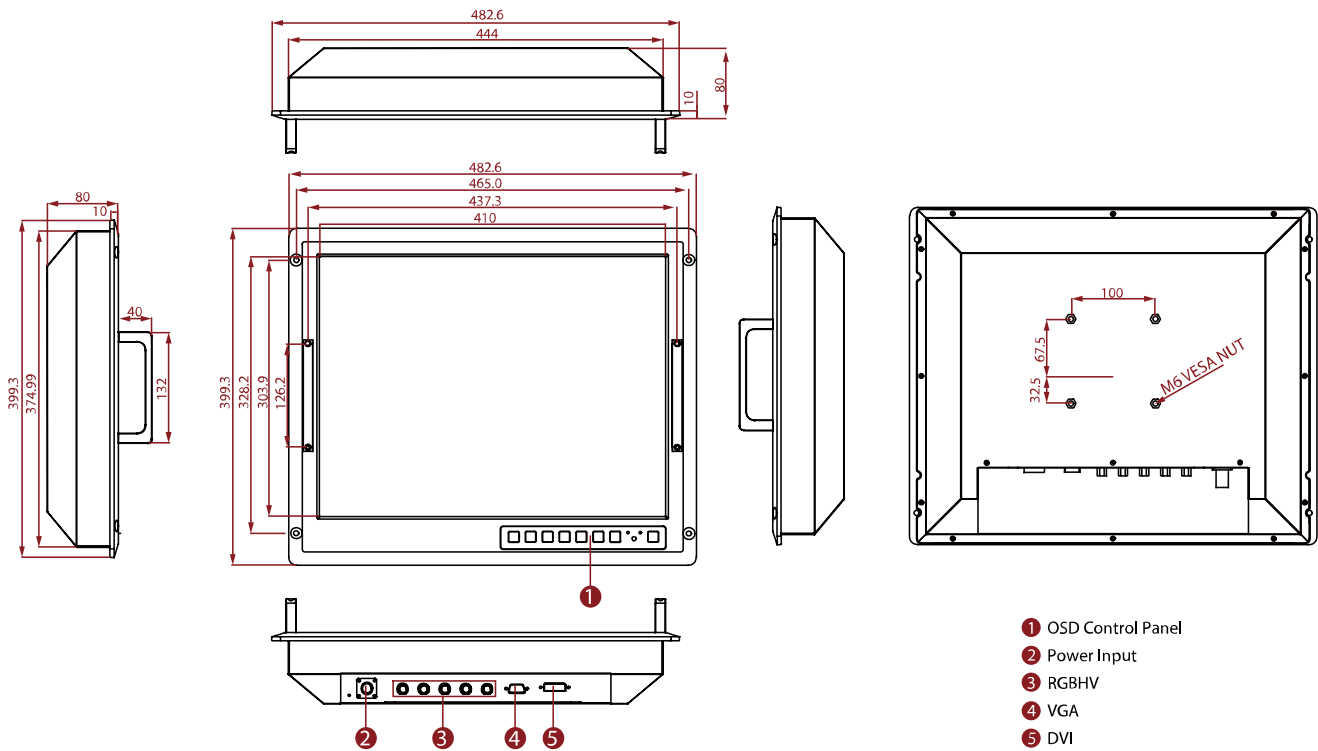
1 x Power Cord MIL-DTL-38999/1
 1 x VGA Cable
 1 x DVI Cable
 1 x VGA to 5 BNC Shielding Cable

Control

Button 8 key:
 Power
 Menu
 Auto
 Volume Up/ Swap
 Volume Down/ PIP
 Brightness Up
 Brightness Down
 LED Adjustment

DIMENSIONS UNIT:MM

Winmate 20.1" Rack Mount Defence Display R20L100-RKA2ML



NOTE

1. This is a simplified drawing and some components are not marked in detail.
2. If you require an external test report, Winmate will charge an NRE fee.
3. Please contact our sales representative if you need further product information.
4. All specifications are subject to change without prior notice.
5. The product shown in this datasheet is a standard model. For diagrams that contain customized or optional I/O, please contact the Winmate Sales Team for more information.