

# W07IB3S-PMT1

## 7" Intel® Celeron® N2930 Panel Mount Panel PC



### KEY FEATURES

- 7" TFT SVGA LCD
- Intel® Celeron® N2930 Quad Core 1.83 GHz Processor
- 1 x SO-DIMM, max. 8 GB DDR3L 1600
- Integrated VGA, Dual-channel 24-bit LVDS, HDMI
- 2 x Gigabit Ethernet
- 1 x SATA, 1 x USB 2.0, 1 x USB 3.0, 1 x HDMI, 2 x COM, 1 x Mini PCIe slot

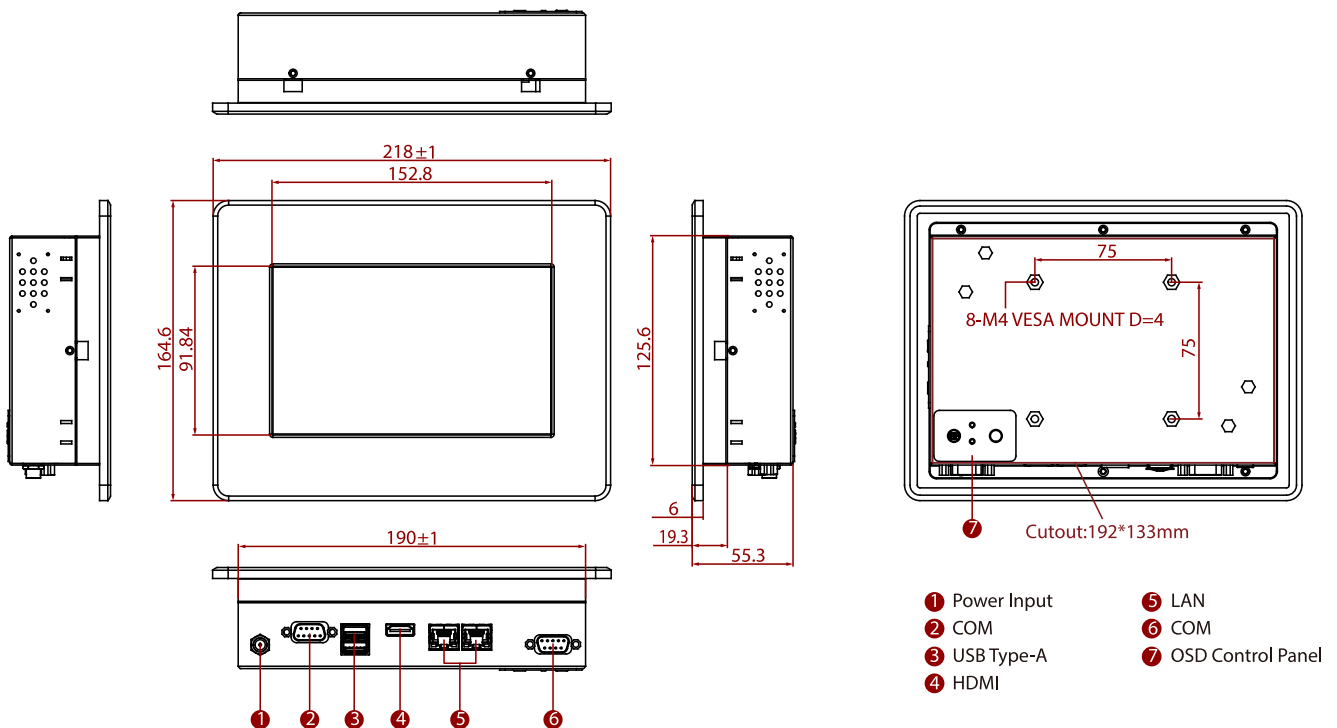


### SPECIFICATIONS

Display	
<b>Resolution</b>	1024x600
<b>Contrast Ratio</b>	1000:1
<b>View Angles</b>	75,75,75,70
<b>Touch / Glass</b>	Resistive Touch Screen Protection Glass Without Touch Function (Optional)
<b>Size</b>	7 inches
<b>Panel Brightness</b>	320 nits
<b>Active Area</b>	153.6x90 mm
System Specification	
<b>Processor</b>	Intel® Celeron® N2930 (2M Cache, up to 2.16 GHz)
<b>Storage</b>	1 x mSATA SSD 64GB. mSATA SSD up to 512GB. (Optional)
<b>Operating System</b>	Windows 7 Embedded Systems (Optional) Windows 10 IoT Enterprise (Optional) Linux Ubuntu 18.04 (Optional)
<b>Memory</b>	1 x SO-DIMM, DDR3L 1600 MHz, 4GB 8GB (Optional)
<b>BT</b>	Support (Optional)
<b>Ethernet controller</b>	2 x Intel® Gigabit Ethernet Controller
<b>WLAN</b>	Support (Optional)
Mechanical	
<b>Dimension</b>	218 x 164.6 x 55.3 mm
<b>Enclosure</b>	Metal Housing
<b>Cut out</b>	192x133mm
<b>Mounting</b>	Panel mount VESA Mount
<b>Cooling System</b>	Fanless design
Environment	
<b>Operating Humidity</b>	10% to 90% (non-condensing)
<b>Storage Temperature</b>	-10~60°C
<b>Operating Temperature</b>	0~50°C
Certification	
<b>Certification</b>	CE, FCC
IO Ports	
<b>Power Input</b>	1 x 12V DC, 2.5φ DC jack
<b>Serial Port</b>	1 x RS232/422/485 (Default RS232) 1 x RS232
<b>USB Port</b>	1 x USB3.0 (Type-A) 1 x USB2.0 (Type-A)
<b>Video</b>	1 x HDMI 1.4 (Optional)

<b>Audio</b>	2 x Speaker	<b>Expansion Port</b>	1 x mPCIe slot(for half size Wifi module)
<b>LAN</b>	2 x Giga LAN RJ45 Connector	<b>Indicator</b>	1 x LED Indicator for power 1 x LED Indicator for storage
<b>Brightness Knob</b>	1 x Brightness Adjustment Knob	<b>mini PCIe</b>	1 x Mini PCIe(For WLAN)
<b>Control</b>			
<b>Button</b>	1 x Power Button 1 x Reset Button		
<b>Accessory</b>			
<b>Accessory</b>	100~240V AC to DC Adapter Power Cord Driver CD & Manual VESA screws Mounting clips		
<b>Power</b>			
<b>Power Rating</b>	12V DC	<b>Adapter</b>	12V 50W

## DIMENSIONS UNIT:MM



## NOTE

1. This is a simplified drawing and some components are not marked in detail.
2. Please contact our sales representative if you need further product information.
3. All specifications are subject to change without prior notice.
4. The product shown in this datasheet is a standard model. For diagrams that contain customized or optional I/O, please contact the Winmate Sales Team for more information.