

# W07IQ3S-EHT1

## 7" Qualcomm Snapdragon™ 660 E Series HMI Panel PC



### KEY FEATURES

- 7" 1024 x 600 Resolution with Projected Capacitive Multi-Touch (PCAP)
- Qualcomm Snapdragon™ 660 octa-core, 2.2 GHz CPU
- Fanless cooling system and ultra-low power consumption
- Front IP65 Water and Dust Proof



### SPECIFICATIONS

Display			
<b>Resolution</b>	1024x600	<b>Size</b>	7 inches
<b>Contrast Ratio</b>	1000:1	<b>Panel Brightness</b>	320 nits
<b>View Angles</b>	75,75,75,70	<b>Active Area</b>	153.6x90 mm
<b>Touch / Glass</b>	Projected Capacitive Multi Touch Screen		
System Specification			
<b>WLAN</b>	Support (Optional)	<b>BT</b>	Support (Optional)
<b>Processor</b>	Qualcomm® Snapdragon™ 660 (Octa-Core 2.2 GHz)	<b>Memory</b>	3GB LPDDR4
<b>Storage</b>	32GB eMMC	<b>Operating System</b>	Android 9.0
Mechanical			
<b>Dimension</b>	185 x 128 x 48 mm	<b>Mounting</b>	Panel mount VESA Mount
<b>Enclosure</b>	Plastic Front Bezel with Metal Back Cover	<b>Cooling System</b>	Fanless design
<b>Cut out</b>	175x118mm		
Environment			
<b>Operating Humidity</b>	10% to 90% (Non-Condensing)	<b>Operating Temperature</b>	0~50°C
<b>Storage Temperature</b>	-20~60°C	<b>Shock</b>	MIL-STD-810G Method 516.6
<b>Vibration</b>	MIL-STD-810G Method 514.6	<b>IP rating</b>	Front IP65
Certification			
<b>Certification</b>	CE, FCC		
IO Ports			
<b>USB Port</b>	2 x USB 2.0 (Type A), 1 x USB 3.0 (Type-C)	<b>Serial Port</b>	1 x RS232/422/485 (Default RS232)
<b>SD Card Slot</b>	1 x Micro SD card slot	<b>Video</b>	1 x Micro HDMI (Optional)
<b>LAN</b>	1 x LAN(USB to LAN AX88178A)		
Accessory			
<b>Accessory</b>	100~240V AC to DC Adapter Power Cord VESA screws		

**Power**

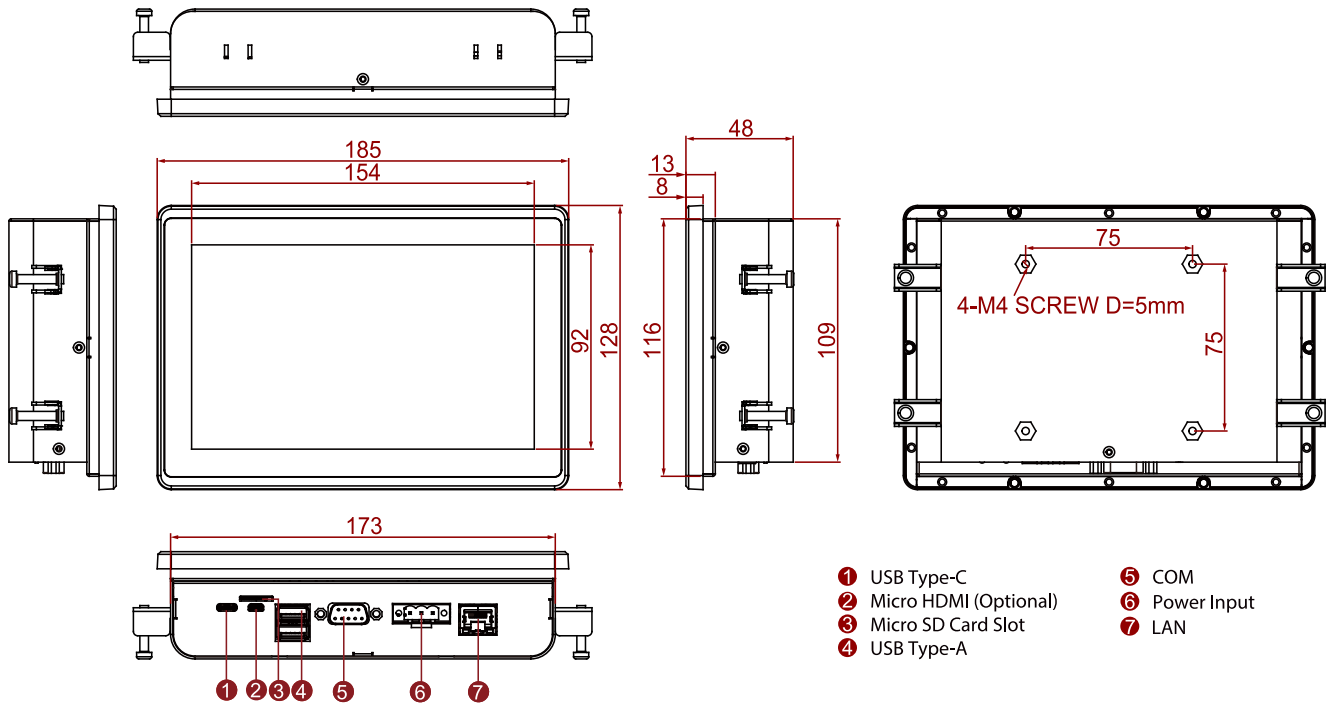
**Power Rating** 12V DC with Terminal Block

**Adapter**

12V 50W

**DIMENSIONS** UNIT:MM

**Winmate W071Q3S-EHT1**



**NOTE**

1. This is a simplified drawing and some components are not marked in detail.
2. The product shown in this datasheet is a standard model. For diagrams that contain customized or optional I/O, please contact the Winmate Sales Team for more information.
3. All specifications are subject to change without prior notice.