

W07L100-GCT1

7" G-WIN GC Series Front IP65 PCAP Display



KEY FEATURES

- 7" 1024 x 600 Resolution Front IP65 PCAP Display
- VGA input and HDMI input
- Projected Capacitive Multi-Touch
- Front IP65 for protection against water and dust

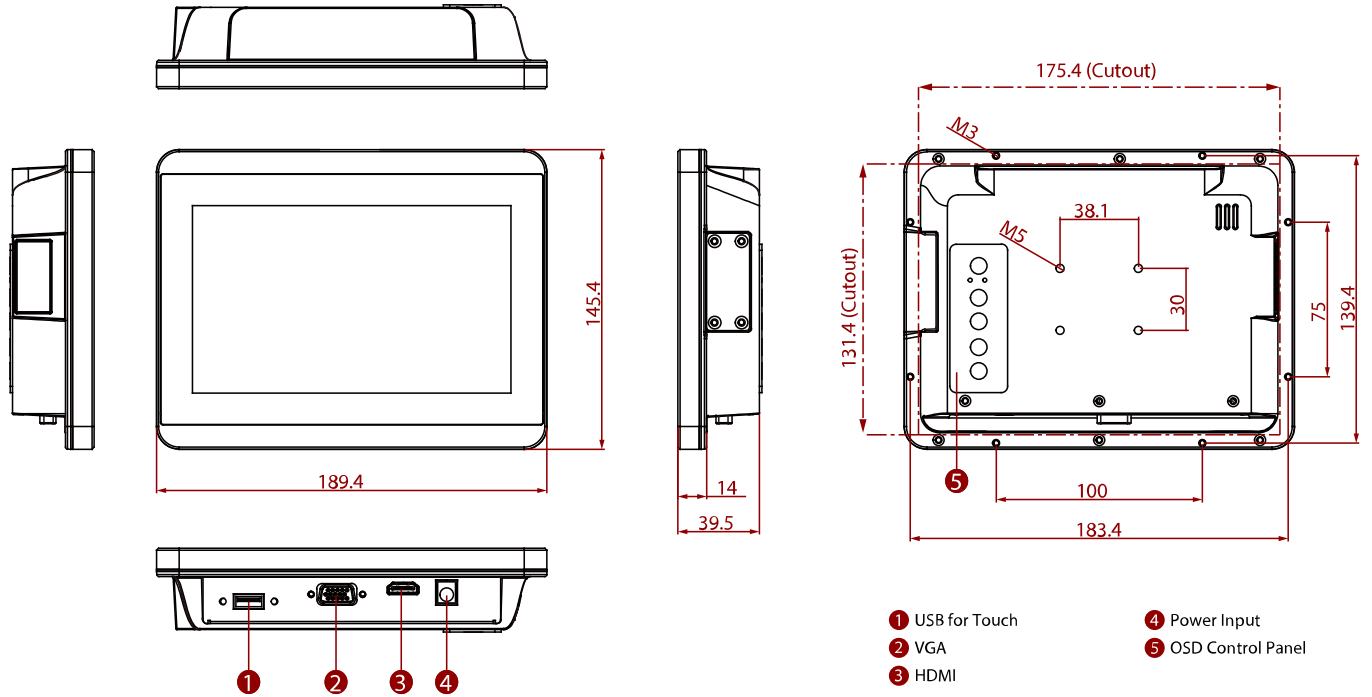


SPECIFICATIONS

Display	
Resolution	1024x600
Contrast Ratio	500:1
Display Color	16.7M Colors
Touch / Glass	Projected Capacitive Multi Touch Screen
Size	7.0 inches
Panel Brightness	320 nits
View Angles	75,75,75,70
Environment	
Operating Humidity	10% to 90% (Non-Condensing)
Shock	40g for 11ms
IP rating	Front IP65
Operating Temperature	0~50°C
Vibration	1.48/1.90/2.24 g rms for XYZ/ 5-500Hz
Certification	
Certification	CE, FCC
IO Ports	
USB Port	1 x USB for Touch Screen
Video	1 x VGA 1 x HDMI (Optional) 1 x DVI (Optional)
Mechanical	
Dimension	189.4 x 145.4 x 39.8 mm
Enclosure	Aluminum
Mounting	VESA Mount/ Panel Mount
Cooling System	Fanless Design
Accessory	
Accessory	1 x VGA cable 1 x HDMI cable 100~240V AC to DC Adapter Power Cord Manual VESA screws(Varies by product)
Optional Accessory	Remote Controller (Optional,Varies by product)
Power	
Power Rating	12V DC input
Control	
Button	5 Keys: -, +, Power, Esc, Enter

DIMENSIONS UNIT:MM

Winmate W07L100-GCT1



NOTE

1. This is a simplified drawing and some components are not marked in detail.
2. The product shown in this datasheet is a standard model. For diagrams that contain customized or optional I/O, please contact the Winmate Sales Team for more information.
3. All specifications are subject to change without prior notice.
4. The product shown in this datasheet is a standard model. For diagrams that contain customized or optional I/O, please contact the Winmate Sales Team for more information.