

W07RK3S-PC01-POE

7" ARM A72+A53 S Series HMI Panel PC



KEY FEATURES

- 7" 1024 x 600 Resolution with Projected Capacitive Multi-Touch (PCAP)
- ARM® Dual-core A72 up to 2.0GHz + Quad-core A53 up to 1.5GHz
- Fanless cooling system and ultra-low power consumption
- Supports PoE function
- Optional 2MP Front Camera
- Optional HF RFID Reader
- Stylish design for room booking, access control and room information applications

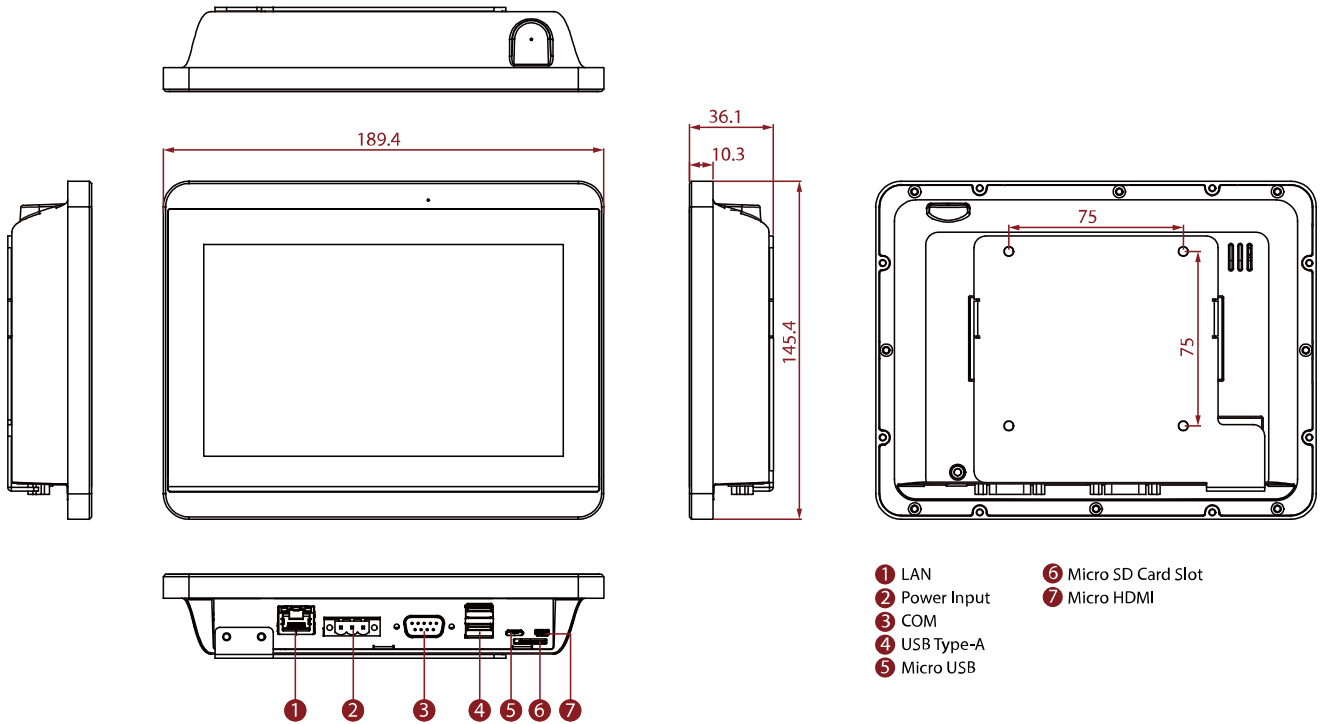


SPECIFICATIONS

Display			
Resolution	1024x600	Size	7 inches
Contrast Ratio	700:1	Panel Brightness	1000 nits
View Angles	75,75,75,70	Active Area	153.6x90 mm
Touch / Glass	Projected Capacitive Multi Touch Screen		
System Specification			
Processor	ARM A72 (up to 2.0 GHz) + ARM A53 (up to 1.5 GHz)	Memory	2GB LPDDR3L 1600 4GB (Optional)
Storage	Onboard 16GB eMMC Onboard 32GB eMMC (Optional) Micro SD Card SDHC (Optional)	Operating System	Android 7.1
WLAN	Support (Optional)	BT	Support (Optional)
RFID	HF RFID Reader 13.56 MHz (Optional)		
Mechanical			
Dimension	189.4 x 145.4 x 36.1 mm	Mounting	Panel mount VESA Mount
Enclosure	Metal Housing	Cooling System	Fanless design
Cut out	175.5x131.5mm		
Environment			
Operating Humidity	10% to 90% (non-condensing)	Operating Temperature	0~50°C
Storage Temperature	-20~60°C	IP rating	Front IP65
Certification			
Certification	CE, FCC		
IO Ports			
Power Input	1 x 12V DC, 3-Pin Terminal Block	USB Port	1 x USB3.0 (Type-A) 1 x USB2.0 (Type-A) 1 x USB OTG
Serial Port	1 x RS232/422/485 (Default RS232)	SD Card Slot	1 x Micro SD card slot
Video	1 x Micro HDMI (Optional)	Audio	1 x Speaker
Expansion Port	2 x M.2 slot(1 for WiFi, 1 for SSD)	LAN	1 x LAN RJ45 Connector with PoE(PD, 802.3 at)

Accessory			
Accessory	100~240V AC to DC Adapter Power Cord Terminal Block to 2.5Ø Female Adapter Cable Open Wire Cable with terminal block connector Driver CD & Manual VESA screws	Optional Accessory	VESA Wall Mount (Optional) VESA Desk Stand (Optional) Glass Wall Mount Kit (Optional) Front Side Wall Mount (Optional) VESA bracket mounting kit (Optional)
Power			
Power Rating	12V DC	Adapter	12V 50W
POE	PoE (PD): follows IEEE 802.3at (25 W)		

DIMENSIONS UNIT:MM



NOTE

1. This is a simplified drawing and some components are not marked in detail.
2. The product shown in this datasheet is a standard model. For diagrams that contain customized or optional I/O, please contact the Winmate Sales Team for more information.
3. All specifications are subject to change without prior notice.