

W10FA3S-ELH2

10.1" NXP i.MX6 EL Series HMI Panel PC



KEY FEATURES

- 10.1" 1280 x 800 Resolution with P-Cap Multi-touch screen
- NXP i.MX6 Dual Core 1GHz
- Fanless cooling system and Ultra-low power consumption
- Front IP65 Water and Dust Proof
- 1 x USB , 1 x USB OTG , 1 x RS485 , 1 x RJ45 / LAN



SPECIFICATIONS

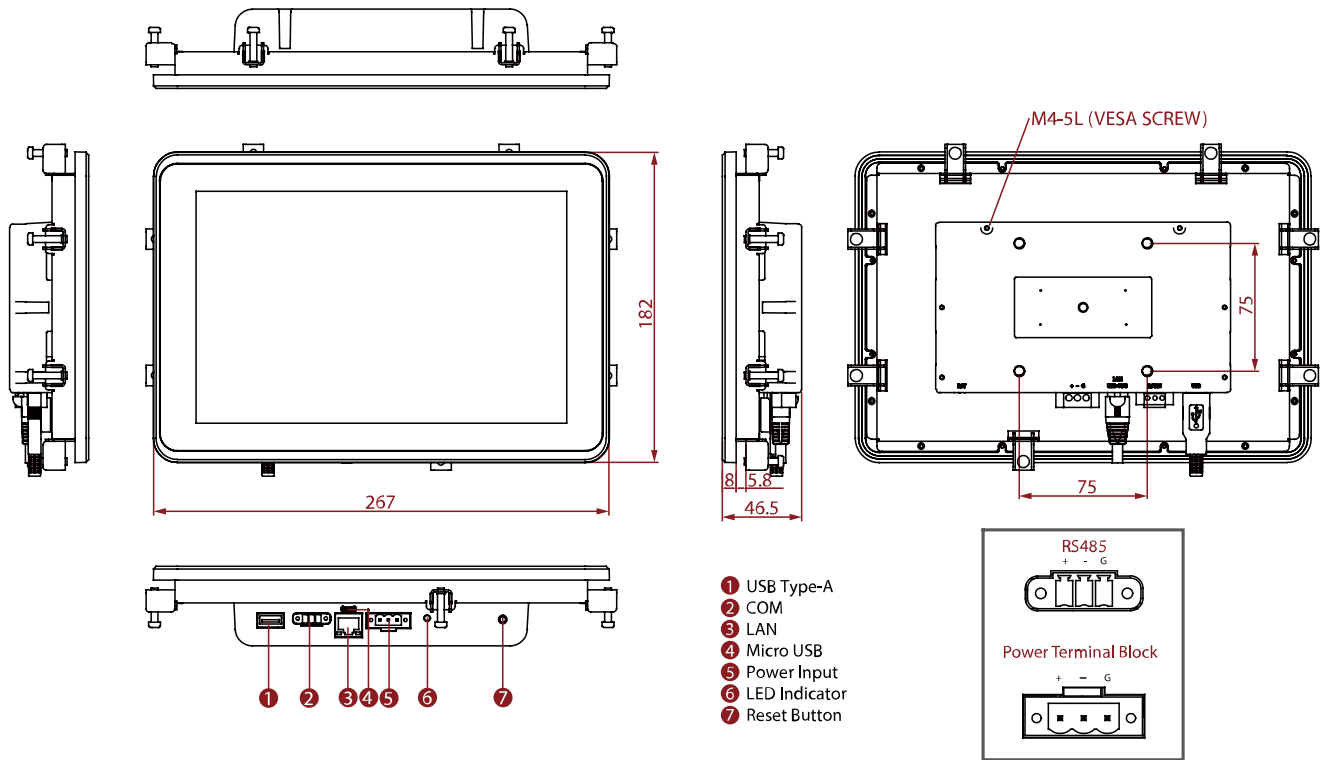
Display			
Resolution	1280x800	Size	10.1 inches
Contrast Ratio	800:1	Panel Brightness	350 nits 1000 nits(Optional)
View Angles	85,85,85,85	Active Area	216.96 x135.6 mm
Touch / Glass	Projected Capacitive Multi Touch Screen		
System Specification			
Processor	NXP i.MX6 Dual Core, 1.0GHz	Memory	1GB 2GB (Optional)
Storage	Onboard 8GB eMMC	Operating System	Linux Ubuntu 18.04 Android 6.0 (Optional)
Mechanical			
Dimension	267 x 182 x 47 mm	Mounting	Panel mount VESA Mount
Enclosure	Metal Housing	Cooling System	Fanless design
Cut out	244x159mm		
Environment			
Operating Humidity	10% to 90% (non-condensing)	Operating Temperature	0~50°C
Storage Temperature	-20~60°C	IP rating	Front IP65
Certification			
Certification	CE, FCC		
IO Ports			
Power Input	1 x 12~24V DC, 3-Pin Terminal Block	USB Port	1 x USB2.0 (Type-A) 1 x USB OTG
Serial Port	1 x RS485, 3pin Terminal block	LAN	1 x LAN RJ45 Connector
Indicator	1 x LED Indicator for storage		
Control			
Button	1 x Reset Button		
Accessory			

Accessory 100~240V AC to DC Adapter
 Power Cord
 Terminal Block to 2.5Ø Female Adapter Cable
 Open Wire Cable with terminal block connector
 Mounting clips
 VESA screws

Power

Power Rating 12V~24V with isolation, 3-Pin Terminal Block **Adapter** 12V 50W

DIMENSIONS UNIT:MM



- ① USB Type-A
- ② COM
- ③ LAN
- ④ Micro USB
- ⑤ Power Input
- ⑥ LED Indicator
- ⑦ Reset Button

NOTE

1. This is a simplified drawing and some components are not marked in detail.
2. The product shown in this datasheet is a standard model. For diagrams that contain customized or optional I/O, please contact the Winmate Sales Team for more information.
3. All specifications are subject to change without prior notice.