

# W10FA3S-GSH2

## 10.1" NXP i.MX6 G-WIN GS-Series Full IP65 PCAP Panel PC



### KEY FEATURES

- 10.1" 1280 x 800 PCAP touchscreen
- NXP i.MX6 Dual Core 1GHz
- Fanless cooling system
- Ultra-low power consumption
- Full IP65



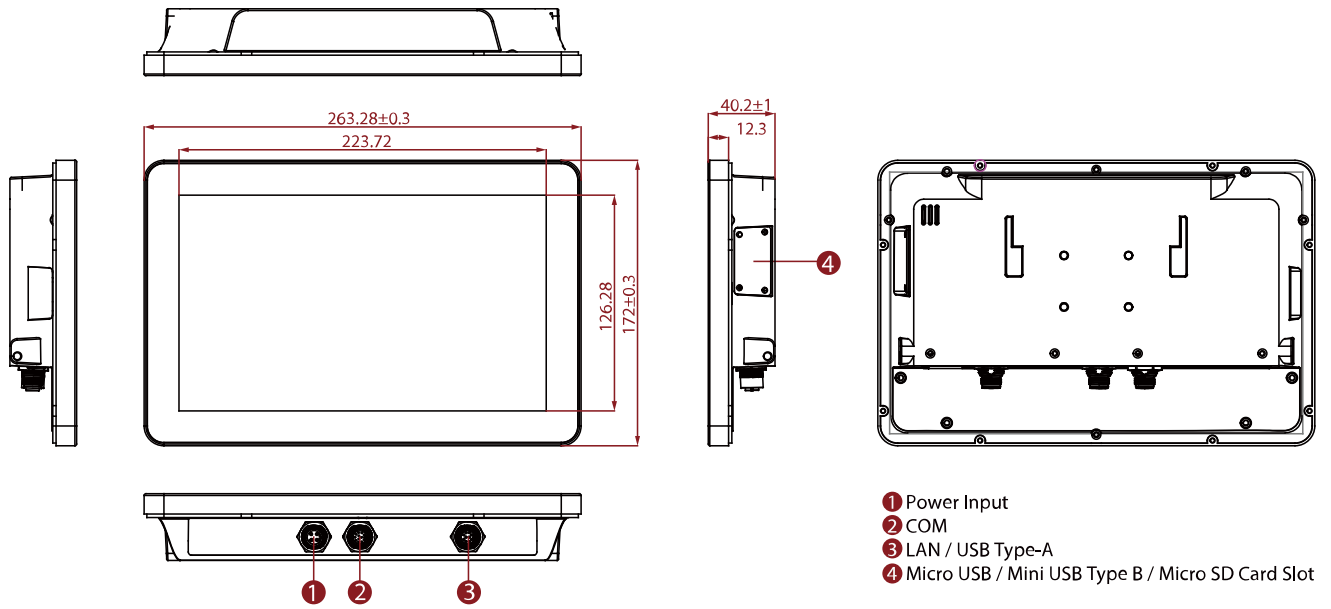
### SPECIFICATIONS

System Specification			
<b>Processor</b>	NXP i.MX6 Dual Core, 1.0GHz	<b>Memory</b>	1GB 2GB (Optional)
<b>Storage</b>	Onboard 16GB eMMC Onboard 32GB eMMC (Optional)	<b>Operating System</b>	Linux Ubuntu 18.04 (Optional) Android 6.0 (Optional) Debian 7.0 (Optional) Linux 4.1.15 QT 5.5 (Optional)
Display			
<b>Resolution</b>	1280x800	<b>Size</b>	10.1 inches
<b>Contrast Ratio</b>	800:1	<b>Panel Brightness</b>	350 nits 1000 nits(Optional)
<b>View Angles</b>	85,85,85,85	<b>Active Area</b>	216.96 x135.6 mm
<b>Touch / Glass</b>	Projected Capacitive Multi Touch Screen Protection Glass (Optional)		
Environment			
<b>Operating Humidity</b>	10% to 95% RH	<b>Operating Temperature</b>	-15 °C to 55 °C
<b>Storage Temperature</b>	-30°C to 60°C	<b>Shock</b>	40g for 11ms
<b>Vibration</b>	1.48/1.90/2.24 g rms for XYZ/ 5-500Hz	<b>IP rating</b>	Full IP65
Certification			
<b>Certification</b>	Compliant with MIL-STD-810F/G for vibration / shock, CE, FCC		
IO Ports			
<b>USB Port</b>	1 X USB 2.0 (M12 type)	<b>Serial Port</b>	1 x RS232 (M12 type)(Optional 422/485)
<b>SD Card Slot</b>	1 x Micro SD Card Slot	<b>Audio</b>	1 x Speaker
<b>LAN</b>	1 x LAN-10/100/1000 (M12 type)		
Mechanical			
<b>Dimension</b>	263.28 x 172 x 40.2 mm	<b>Mounting</b>	VESA Mount/ Panel Mount
<b>Enclosure</b>	Aluminum	<b>Cooling System</b>	Fanless Design
Power			
<b>Power Rating</b>	12V DC (M12 type)		

## Accessory

<b>Accessory</b>	Quick Start Guide (Hardcopy) Driver CD & User Manual M12 Power Cable M12 Serial Interface Cable M12 USB/ LAN Cable I/O Protective Cap x 3
------------------	--

## DIMENSIONS UNIT:MM



## NOTE

1. This is a simplified drawing and some components are not marked in detail.
2. Please contact our sales representative if you need further product information.
3. All specifications are subject to change without prior notice.
4. The product shown in this datasheet is a standard model. For diagrams that contain customized or optional I/O, please contact the Winmate Sales Team for more information.