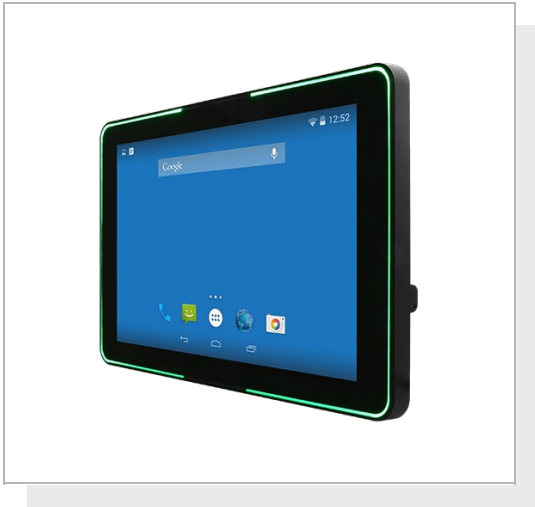


W10FA3S-PCH2LB

10.1" NXP i.MX6 S Series HMI Panel PC



KEY FEATURES

- 10.1" 1280 x 800 Resolution with Projected Capacitive Multi-Touch (PCAP)
- NXP i.MX6 Dual Core, 1 GHz (Optional Quad Core)
- Fanless cooling system and ultra-low power consumption
- Supports PoE function
- All-around LED status light bar
- Optional HF RFID Reader
- Stylish design for room booking, access control and room information applications



SPECIFICATIONS

Display			
Resolution	1280x800	Size	10.1 inches
Contrast Ratio	800:1	Panel Brightness	350 nits 1000 nits(Optional)
View Angles	85,85,85,85	Active Area	216.96 x135.6 mm
Touch / Glass	Projected Capacitive Multi Touch Screen Anti-glare Coating (Optional)		
System Specification			
Processor	NXP i.MX6 Dual Core, 1.0GHz	Memory	1GB 2GB (Optional)
Storage	Onboard 16GB eMMC Onboard 32GB eMMC (Optional)	Operating System	Android 6.0 Linux Ubuntu 16.04 (Optional) Linux 4.1.15 QT 5.5 (Optional)
Environment			
Operating Humidity	10% to 90% (non-condensing)	Operating Temperature	0~50°C
Storage Temperature	-20~60°C	IP rating	Front IP65
Certification			
Certification	CE, FCC		
Mechanical			
Dimension	265 x 173 x 38 mm	Mounting	VESA Mount (75x75mm), Panel Mount, Front Side Wall Mount
Enclosure	Plastic Bezel & Aluminum back cover	Cooling System	Fanless Design
IO Ports			
USB Port	1 x Mini USB Console(Linux use) 1 x USB OTG 1 x USB 2.0	Serial Port	1 x RS-232/422/485
SD Card Slot	1 x Micro SD Card Slot	Video	1 x Micro HDMI (Optional)
Audio	1 x Speaker	LAN	1 x RJ 45-10/100/1000 Mbps LAN, Supports PoE function
Indicator	RGB LED Light Bar	CANBUS	1 x CANBus

Accessory

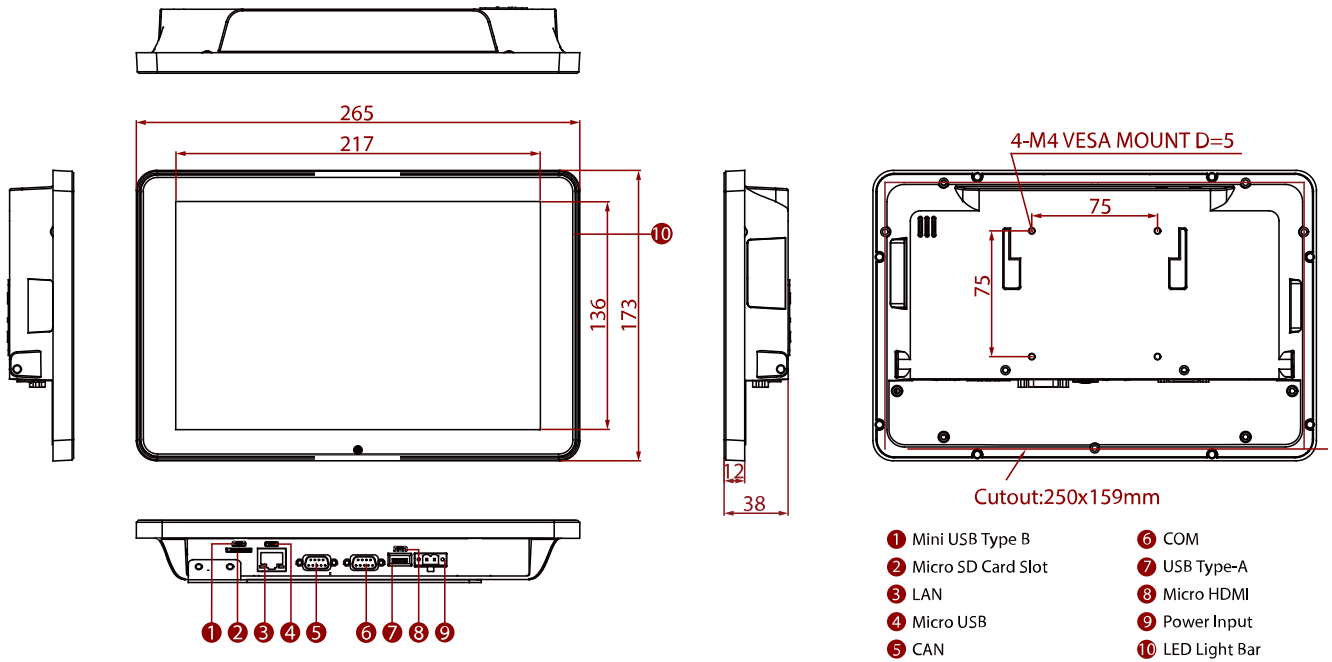
Accessory	Driver CD & User Manual AC Adapter (12V/50W) Power Cord 3 Pin Terminal Block to DC Jack VESA Screws
------------------	---

Power

Power Rating	12V DC in(Phoenix type)	POE	Power Device (PD), follows IEEE 802.3at (25 W)
---------------------	-------------------------	------------	--

DIMENSIONS UNIT:MM

Winmate W10FA3S-PCH2LB



NOTE

1. Measured at dimming LCD brightness. Varies depending on the usage conditions, or when an external device is attached.
2. Total usable memory will be less dependent upon actual system configuration.
3. Length measurements do not include protrusions. Weight varies with options.
4. This is a simplified drawing and some components are not marked in detail.
5. Accessories and integrated options may vary depending on your configuration.
6. The product shown in this datasheet is a standard model. For diagrams that contain customized or optional I/O, please contact the Winmate Sales Team for more information.