

# W10IB3S-MRH2

## 10.1" Intel® Celeron® N2930 Flat PCAP Marine Panel PC



### KEY FEATURES

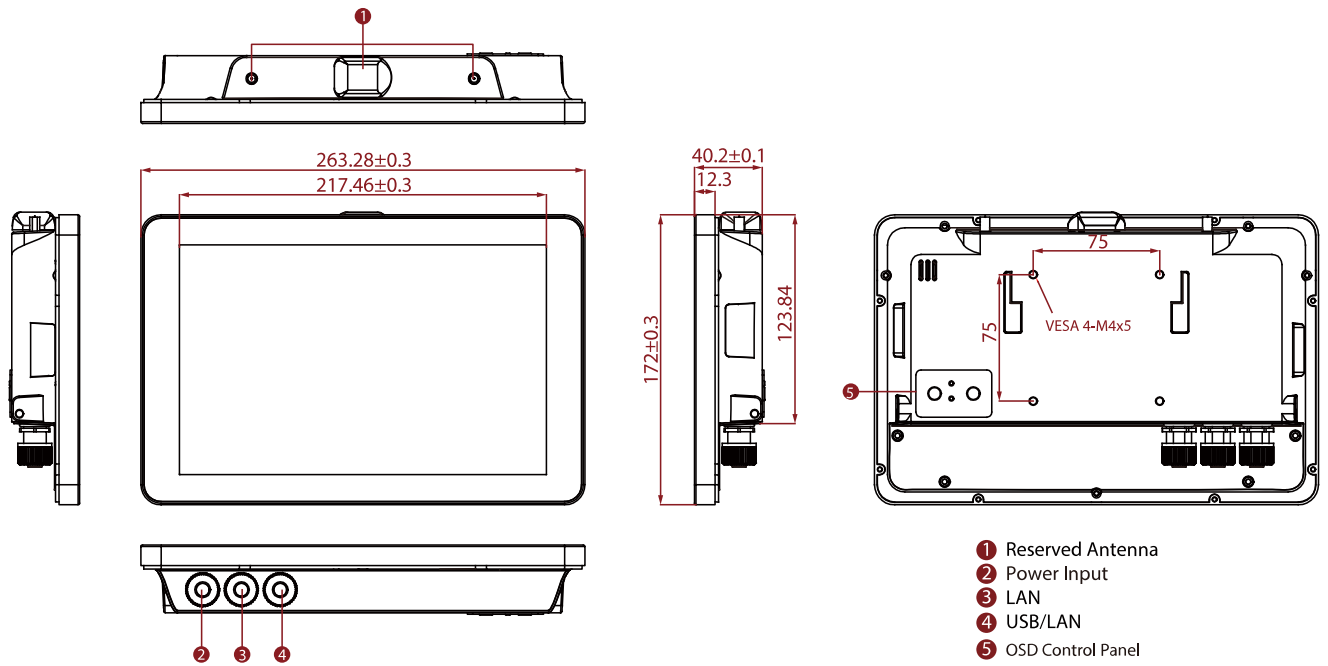
- 1280 x 800 resolution
- P-Cap multi-touch screen
- Front IP65 and full IP44 ratings
- Isolated connectors (M12 type)
- Wireless communications - Wi-Fi, WWAN, GPS (optional)
- Optical bonding with touch screen available on request



### SPECIFICATIONS

Display			
<b>Resolution</b>	1280x800	<b>Size</b>	10.1 inches
<b>Contrast Ratio</b>	800:1	<b>Panel Brightness</b>	350 nits
<b>View Angles</b>	85,85,85,85	<b>Touch / Glass</b>	Projected Capacitive Multi Touch Screen
System Specification			
<b>Processor</b>	Intel® Celeron® N2930 (2M Cache, up to 2.16 GHz)	<b>Memory</b>	1 x SO-DIMM, DDR3L 1600 MHz, 4GB 8GB (Optional)
<b>Storage</b>	1 x mSATA SSD 64GB. mSATA SSD up to 512GB. (Optional)	<b>Ethernet controller</b>	2 x Intel® Ethernet Controller I210-AT
<b>Security</b>	TPM 2.0	<b>Operating System</b>	Windows 7 Embedded Systems (Optional) Windows 10 IoT Enterprise (Optional) Linux Ubuntu 18.04 (Optional)
Environment			
<b>Operating Humidity</b>	5% to 95%	<b>Operating Temperature</b>	-15~55°C
<b>Shock</b>	15G,11ms duration	<b>Vibration</b>	0.7g@DNVGL CG-0339 (Class A)
<b>IP rating</b>	IP66 (Front Side)		
Certification			
<b>Certification</b>	IEC 60945 4th Edition (Test Report Available) CE / FCC		
IO Ports			
<b>USB Port</b>	1 x USB2.0 (M12 type)	<b>Serial Port</b>	2 x RS-422 (M12 type)
<b>LAN</b>	1 x Gigabit LAN (M12 type)		
Mechanical			
<b>Dimension</b>	267 x 182 x 55 mm	<b>Mounting</b>	VESA Mount/ Panel Mount
<b>Enclosure</b>	Metal	<b>Cooling System</b>	Fanless Design
Power			
<b>Power Rating</b>	9-36V DC (M12 type)		

### DIMENSIONS UNIT:MM



## NOTE

1. This is a simplified drawing and some components are not marked in detail.
2. Please contact our sales representative if you need further product information.
3. All specifications are subject to change without prior notice.
4. The product shown in this datasheet is a standard model. For diagrams that contain customized or optional I/O, please contact the Winmate Sales Team for more information.