

W10IQ3S-EHH2

10.1" Qualcomm Snapdragon™ 660 E Series HMI Panel PC



KEY FEATURES

- 10.1" 1280 x 800 Resolution with Projected Capacitive Multi-Touch (PCAP)
- Qualcomm Snapdragon™ 660 octa-core, 2.2 GHz CPU
- Fanless cooling system and ultra-low power consumption
- Front IP65 Water and Dust Proof



SPECIFICATIONS

Display			
Resolution	1280x800	Size	10.1 inches
Contrast Ratio	800:1	Panel Brightness	350 nits 1000 nits(Optional)
View Angles	85,85,85,85	Active Area	216.96 x135.6 mm
Touch / Glass	Projected Capacitive Multi Touch Screen		
System Specification			
WLAN	Support (Optional)	BT	Support (Optional)
Processor	Qualcomm® Snapdragon™ 660 (Octa-Core 2.2 GHz)	Memory	3GB LPDDR4
Storage	32GB eMMC	Operating System	Android 9.0
Mechanical			
Dimension	267 x 182 x 58 mm	Mounting	Panel mount
Enclosure	Aluminum Front Bezel with Metal Back Cover	Cooling System	Fanless design
Cut out	244x159mm		
Environment			
Operating Humidity	10% to 90% (Non-Condensing)	Operating Temperature	0~50°C
Storage Temperature	-20~60°C	Shock	MIL-STD-810G Method 516.6
Vibration	MIL-STD-810G Method 514.6	IP rating	Front IP65
Certification			
Certification	CE, FCC		
IO Ports			
USB Port	2 x USB 2.0 (Type A), 1 x USB 3.0 (Type-C)	Serial Port	1 x RS232/422/485 (Default RS232)
SD Card Slot	1 x Micro SD card slot	Video	1 x Micro HDMI (Optional)
Audio	2 x Speaker (Optional)	LAN	1 x LAN(USB to LAN AX88178A)
Accessory			
Accessory	100~240V AC to DC Adapter Power Cord VESA screws		

Manual
Mounting clips

Power

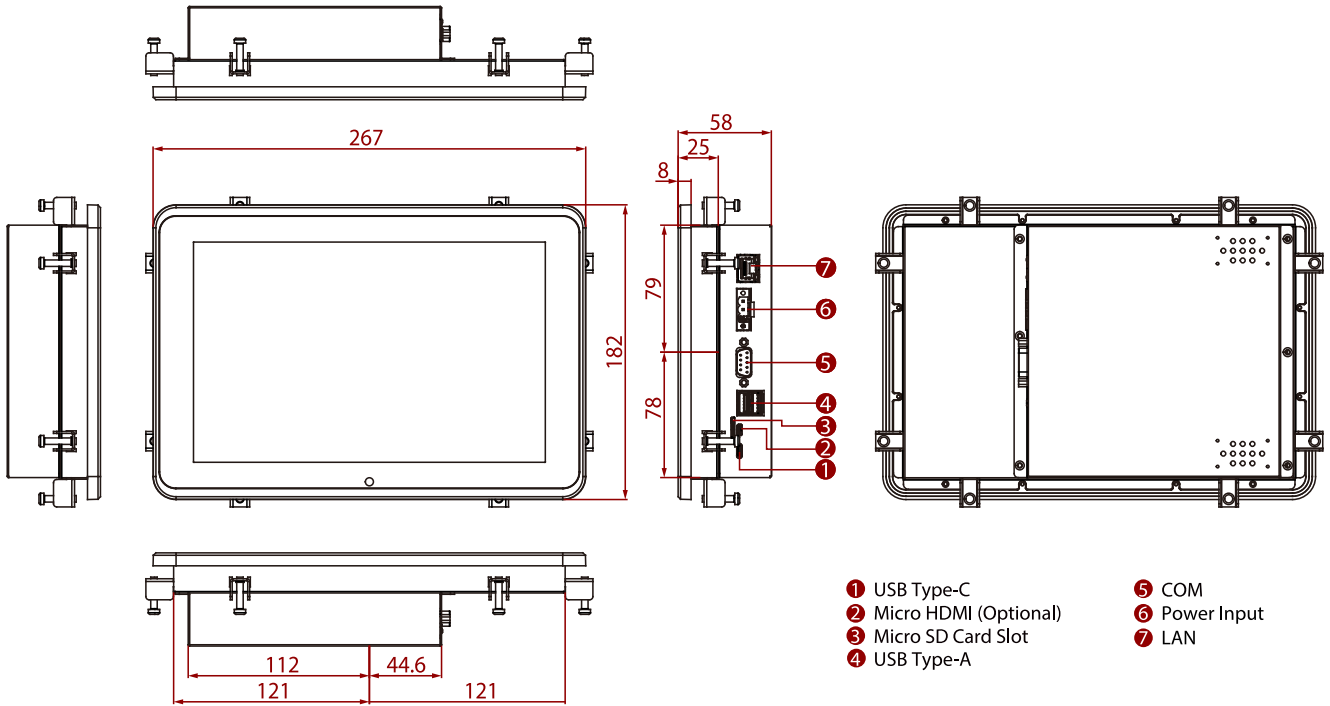
Power Rating 12V DC with Terminal Block
9~36V (Optional)

Adapter

12V 50W

DIMENSIONS UNIT:MM

Winmate W10IQ3S-EHH2



NOTE

1. This is a simplified drawing and some components are not marked in detail.
2. The product shown in this datasheet is a standard model. For diagrams that contain customized or optional I/O, please contact the Winmate Sales Team for more information.
3. All specifications are subject to change without prior notice.