

W10IQ3S-PCH2AC-POE

10.1" Qualcomm Snapdragon™ 660 S Series HMI Panel PC



KEY FEATURES

- 10.1" 1280 x 800 Resolution with Projected Capacitive Multi-Touch (P-CAP)
- Fanless cooling system and ultralow power consumption
- Support PoE function
- Optional 2MP Front Camera
- Optional HF RFID Reader
- Stylish design for room booking, access control, and room information applications
- Front IP65 Water and Dust Proof
- Built-in RGB LED Light Bar Indicator



SPECIFICATIONS

| Display | | | |
|----------------------|---|-----------------------|--|
| Resolution | 1280x800 | Size | 10.1 inches |
| Contrast Ratio | 800:1 | Panel Brightness | 350 nits 1000 nits(Optional) |
| View Angles | 85,85,85,85 | Active Area | 216.96 x135.6 mm |
| Touch / Glass | Projected Capacitive Multi Touch Screen | | |
| System Specification | | | |
| WLAN | Support (Optional) | BT | Support (Optional) |
| RFID | HF RFID Reader 13.56 MHz (Optional) | Light Bar | Built-in RGB LED Status Light Bar, on both sides |
| Processor | Qualcomm® Snapdragon™ 660 (Octa-Core 2.2 GHz) | Memory | 3GB LPDDR4 |
| Storage | 32GB eMMC | Operating System | Android 9.0 |
| Mechanical | | | |
| Dimension | 264.57 x 173.29 x 35.7 mm | Mounting | Panel mount VESA Mount |
| Enclosure | Aluminum | Cooling System | Fanless design |
| Cut out | 250x159mm | | |
| Environment | | | |
| Operating Humidity | 10% to 90% (Non-Condensing) | Operating Temperature | 0~50°C |
| Storage Temperature | -20~60°C | Shock | MIL-STD-810G Method 516.6 |
| Vibration | MIL-STD-810G Method 514.6 | IP rating | Front IP65 |
| Certification | | | |
| Certification | CE, FCC | | |
| IO Ports | | | |
| USB Port | 2 x USB 2.0 (Type A), 1 x USB 3.0 (Type-C) | Serial Port | 1 x RS232/422/485 (Default RS232) |
| SD Card Slot | 1 x Micro SD card slot | Video | 1 x Micro HDMI (Optional) |
| Audio | 1 x Speaker | LAN | 1 x LAN(USB to LAN AX88178A) PoE at/af |

Accessory

| | |
|------------------|--|
| Accessory | 100~240V AC to DC Adapter Power Cord Terminal Block to 2.5Ø Female Adapter Cable Open Wire Cable with terminal block connector Manual VESA screws |
|------------------|--|

Power

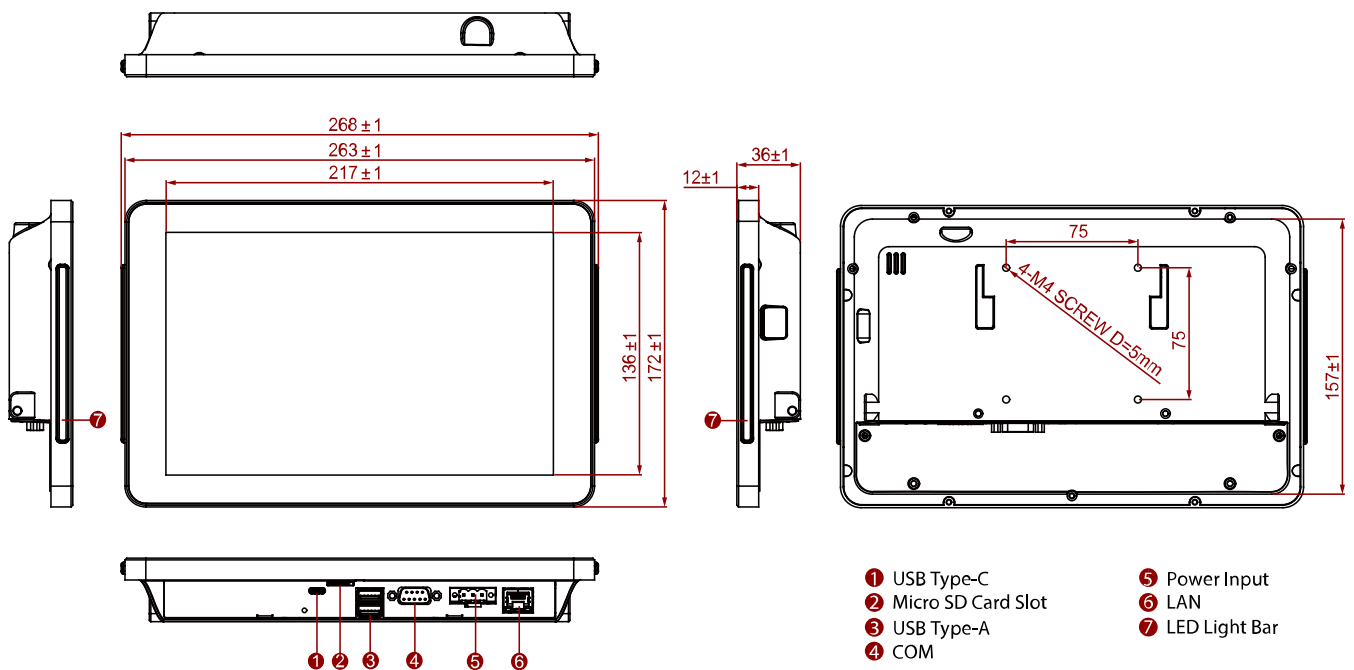
| | | | |
|---------------------|---------------------------------------|----------------|---------|
| Power Rating | 12V DC with Terminal Block | Adapter | 12V 50W |
| | 9~36V (Optional) | | |
| POE | PoE (PD): follows IEEE 802.3at (25 W) | | |

Camera

| | |
|---------------------|-----------------------|
| Front Camera | 2MP Camera (Optional) |
|---------------------|-----------------------|

DIMENSIONS UNIT:MM

Winmate W10IQ3S-PCH2AC-POE



NOTE

1. This is a simplified drawing and some components are not marked in detail.
2. The product shown in this datasheet is a standard model. For diagrams that contain customized or optional I/O, please contact the Winmate Sales Team for more information.
3. All specifications are subject to change without prior notice.