

W10L100-PCH2LB

10.1" Multi-Touch Chassis Display



KEY FEATURES

- 10.1" 1280 x 800 Resolution with Projected Capacitive Multi-Touch (PCAP)
- VGA and HDMI input
- All-around LED status light bar (RS-232)
- USB port for touch
- Front IP65 waterproof and dustproof
- Stylish design for room booking, access control and room information applications

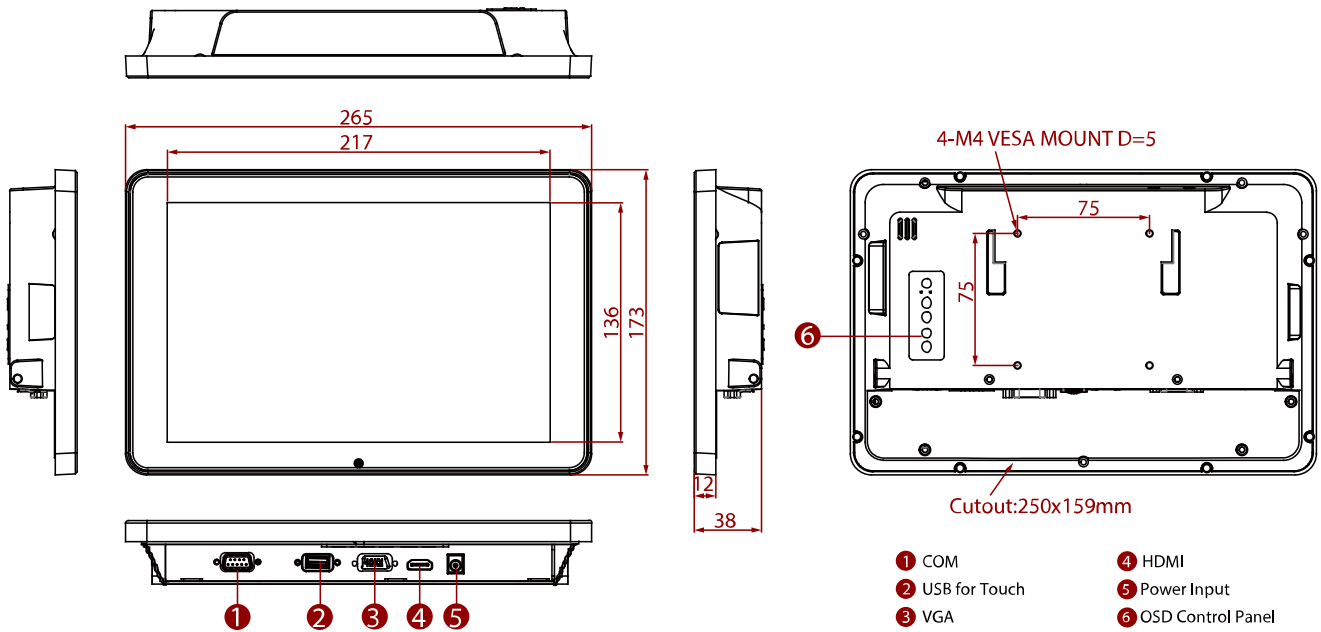


SPECIFICATIONS

Display	
Resolution	1280x800
Contrast Ratio	800:1
Display Color	16.7M Colors
Touch / Glass	Projected Capacitive Multi Touch Screen Anti-glare Coating (Optional)
Size	10.1 inches
Panel Brightness	350 nits
View Angles	85,85,85,85
Environment	
Operating Humidity	10% to 90% (non-condensing)
Storage Temperature	-10~60°C
Operating Temperature	0~50°C
Certification	
Certification	CE, FCC
IO Ports	
USB Port	1 x USB for Touch Screen
Video	1 x VGA 1 x HDMI (Optional) 1 x DVI (Optional)
Audio	1 x Speaker (Optional)
Indicator	All-around RGB LED status light bar (RS-232 control)
Mechanical	
Dimension	264.57 x 173.29 x 35.70 mm
Enclosure	Plastic Bezel & Metal back cover
Mounting	VESA Mount
Cooling System	Fanless Design
Accessory	
Accessory	1 x VGA cable 1 x HDMI cable 100~240V AC to DC Adapter Power Cord Manual VESA screws(Varies by product)
Optional Accessory	Remote Controller (Optional,Varies by product)
Power	
Power Rating	12V DC input
Control	
Button	5 Keys: -, +, Power, Esc, Enter

DIMENSIONS UNIT:MM

Winmate W10L100-PCH2LB



NOTE

1. Measured at dimming LCD brightness. Varies depending on the usage conditions, or when an external device is attached.
2. Length measurements do not include protrusions. Weight varies with options.
3. This is a simplified drawing and some components are not marked in detail.
4. Accessories and integrated options may vary depending on your configuration.
5. Please contact our sales representative if you need further product information.
6. All specifications are subject to change without prior notice.
7. The product shown in this datasheet is a standard model. For diagrams that contain customized or optional I/O, please contact the Winmate Sales Team for more information.