

# W10RK3S-PCH2AC-POE

## 10.1" ARM A72+A53 S Series HMI Panel PC



### KEY FEATURES

- 10.1" 1280 x 800 Resolution with Projected Capacitive Multi-Touch (PCAP)
- ARM® Dual-core A72 up to 2.0GHz + Quad-core A53 up to 1.5GHz
- Fanless cooling system and ultra-low power consumption
- Supports PoE function
- Optional 2MP Front Camera
- Optional HF RFID Reader
- Stylish design for room booking, access control and room information applications
- Front IP65 Water and Dust Proof
- Built-in RGB LED Light Bar Indicator

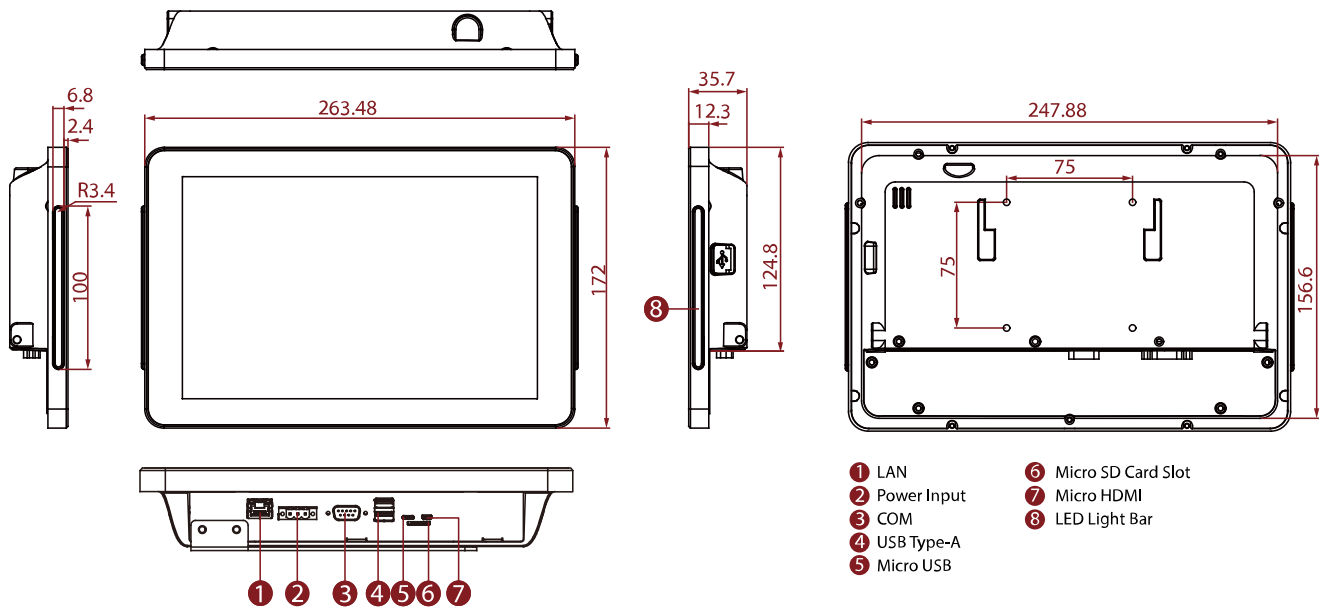


### SPECIFICATIONS

Display			
Resolution	1280x800	Size	10.1 inches
Contrast Ratio	800:1	Panel Brightness	350 nits 1000 nits(Optional)
View Angles	85,85,85,85	Active Area	216.96 x135.6 mm
Touch / Glass	Projected Capacitive Multi Touch Screen		
System Specification			
Processor	ARM A72 (up to 2.0 GHz) + ARM A53 (up to 1.5 GHz)	Memory	2GB LPDDR3L 1600 4GB (Optional)
Storage	Onboard 16GB eMMC Onboard 32GB eMMC (Optional) Mico SD Card SDHC (Optional)	Operating System	Android 7.1
WLAN	Support (Optional)	BT	Support (Optional)
RFID	HF RFID Reader 13.56 MHz (Optional)	Light Bar	Built-in RGB LED Status Light Bar, on both sides
Mechanical			
Dimension	264.57 x 173.29 x 35.7 mm	Mounting	Panel mount VESA Mount
Enclosure	Metal Housing	Cooling System	Fanless design
Cut out	250x159mm		
Environment			
Operating Humidity	10% to 90% (non-condensing)	Operating Temperature	0~50°C
Storage Temperature	-20~60°C	IP rating	Front IP65
Certification			
Certification	CE, FCC		
IO Ports			
Power Input	1 x 12V DC, 3-Pin Terminal Block	USB Port	1 x USB3.0 (Type-A) 1 x USB2.0 (Type-A) 1 x USB OTG

<b>Serial Port</b>	1 x RS232/422/485 (Default RS232)	<b>SD Card Slot</b>	1 x Micro SD card slot
<b>Video</b>	1 x Micro HDMI (Optional)	<b>Audio</b>	1 x Speaker
<b>Expansion Port</b>	2 x M.2 slot(1 for WiFi, 1 for SSD)	<b>LAN</b>	1 x LAN RJ45 Connector with PoE(PD, 802.3 at)
<b>Accessory</b>			
<b>Accessory</b>	100~240V AC to DC Adapter Power Cord Terminal Block to 2.5Ø Female Adapter Cable Open Wire Cable with terminal block connector Manual VESAs screws		
<b>Power</b>			
<b>Power Rating</b>	12V DC	<b>Adapter</b>	12V 50W
<b>POE</b>	PoE (PD): follows IEEE 802.3at (25 W)		

## DIMENSIONS UNIT:MM



## NOTE

1. This is a simplified drawing and some components are not marked in detail.
2. The product shown in this datasheet is a standard model. For diagrams that contain customized or optional I/O, please contact the Winmate Sales Team for more information.
3. All specifications are subject to change without prior notice.