

W12IB3S-VMM9(HB)

12.1" Intel® Celeron® N2930 G-WIN Vehicle Mount Panel PC



KEY FEATURES

- Intel® Celeron® Bay Trail N2930 1.83 GHz Processor Fanless Design
- 5 Wire resistive touch screen
- -10 ~ +55°C Wide Range Operating Temperature
- Anti-Corrosion housing with Fanless Design
- 9~36 V DC Isolation Wide Range Power (Default)
- Anti-Shock & Vibration compliant with MIL-STD-810F/G
- Optional 6-60 V DC Input, and Optional for Ignition On/Off delay
- Panel Mount for request
- Design to meet EN50155

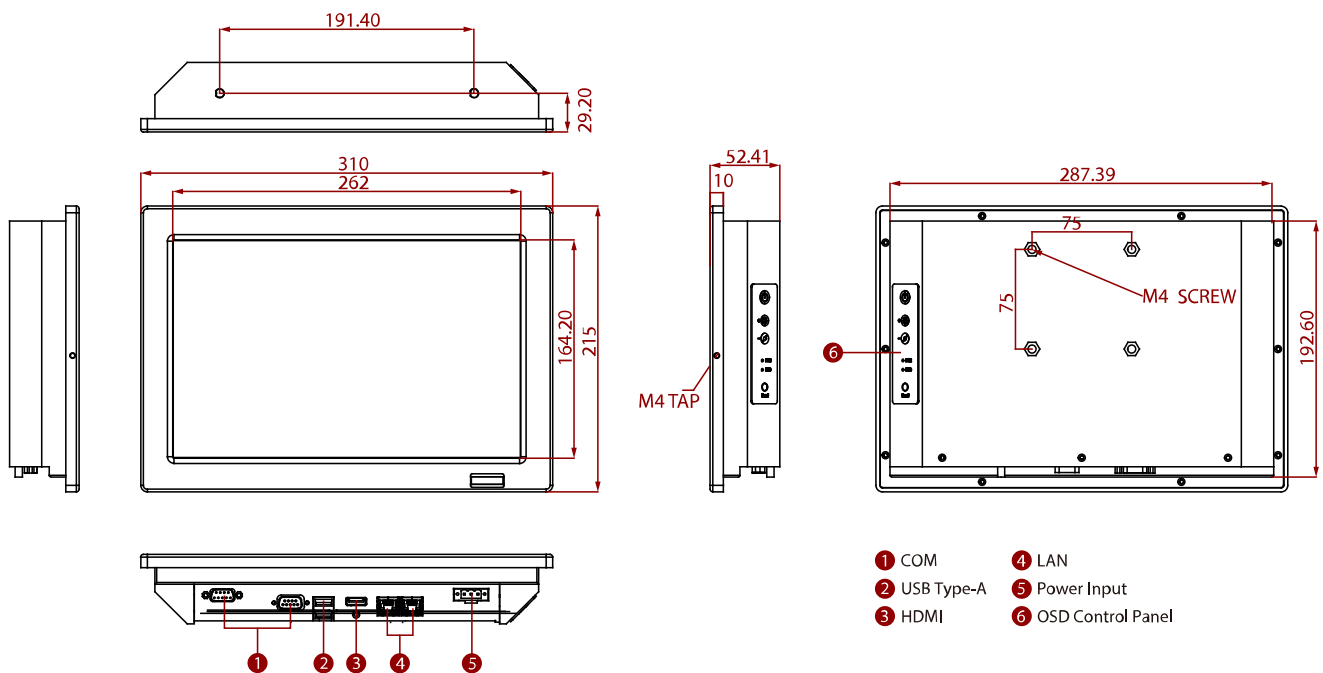


SPECIFICATIONS

| System Specification | | | |
|----------------------------|--|------------------------------|--|
| Processor | Intel® Celeron® N2930 (2M Cache, up to 2.16 GHz) | Memory | 1 x SO-DIMM, DDR3L 1600 MHz, 4GB 8GB (Optional) |
| Storage | 1 x mSATA SSD 64GB. mSATA SSD up to 512GB. (Optional) | Ethernet controller | 2 x Intel® Ethernet Controller I210-AT |
| Operating System | Windows 7 Embedded Systems (Optional) Windows 10 IoT Enterprise (Optional) Linux Ubuntu 18.04 (Optional) | WLAN | Support (Optional) |
| BT | Support (Optional) | | |
| Display | | | |
| Resolution | 1280x800 | Size | 12.1 inches |
| Contrast Ratio | 1000:1 | Panel Brightness | 400 nits |
| View Angles | 88,88,88,88 | Active Area | 261.12x163.2 mm |
| Touch / Glass | Resistive Touch Screen Protection Glass Without Touch Function (Optional) | Optional function | High brightness Panel for sunlight readable (Optional) |
| Mechanical | | | |
| Dimension | 310 x 215 x 52.7 mm | Mounting | VESA Mount |
| Enclosure | Aluminum Housing | Cooling System | Fanless design |
| Environment | | | |
| Operating Humidity | 10% to 90% (non-condensing) | Operating Temperature | -10~60°C |
| Storage Temperature | -30~70°C | Shock | Ignore MIL-STD-810G Method 516.6 (Optional) |
| Vibration | MIL-STD-810G Method 514.6 | IP rating | Front IP65 |
| Certification | | | |
| Certification | CE, FCC | | |
| IO Ports | | | |
| Power Input | 1 x 9~36V DC, 3-Pin Terminal Block | USB Port | 1 x USB3.0 (Type-A) 1 x USB2.0 (Type-A) |

| | | | |
|-----------------------|--|---------------------------|--|
| Serial Port | 1 x RS232/422/485 (Default RS232) 1 x RS232 | Video | 1 x HDMI 1.4 (Optional) |
| Expansion Port | 1 x mPCIe slot(for half size Wifi module) | LAN | 2 x Giga LAN RJ45 Connector |
| Indicator | 1 x LED Indicator for power 1 x LED Indicator for storage | | |
| Control | | | |
| Button | 1 x Power Button 1 x Reset Button 1 x Brightness Up button 1 x Brightness Down button | | |
| Accessory | | | |
| Accessory | Open Wire Cable with terminal block connector Driver CD & Manual VESA screws | Optional Accessory | 100~240V AC to DC Adapter with power cord (Optional) |

DIMENSIONS UNIT:MM



NOTE

1. This is a simplified drawing and some components are not marked in detail.
2. Windows 10 operating system requires installing a new version of BIOS and OS image.
3. Windows 7 does not support the TPM 2.0 function.
4. Weight of the device varies by configuration.
5. Please contact our sales representative if you need further product information.
6. All specifications are subject to change without prior notice.
7. The product shown in this datasheet is a standard model. For diagrams that contain customized or optional I/O, please contact the Winmate Sales Team for more information.