

# W12L100-VMM9

## 12.1" G-WIN VM Series Display



### KEY FEATURES

- High Quality 12.1" Wide Panel, 1280 x 800 resolution
- Aluminum Housing with Anti-Corrosion Treatment
- Anti-Shock and Vibration Standard according to IEC60068-2-27
- 5 Wire Resistive Touchscreen
- Anti-Reflection Protection Glass (Optional)
- Wide Range 9 to 36 V DC Input Acceptable

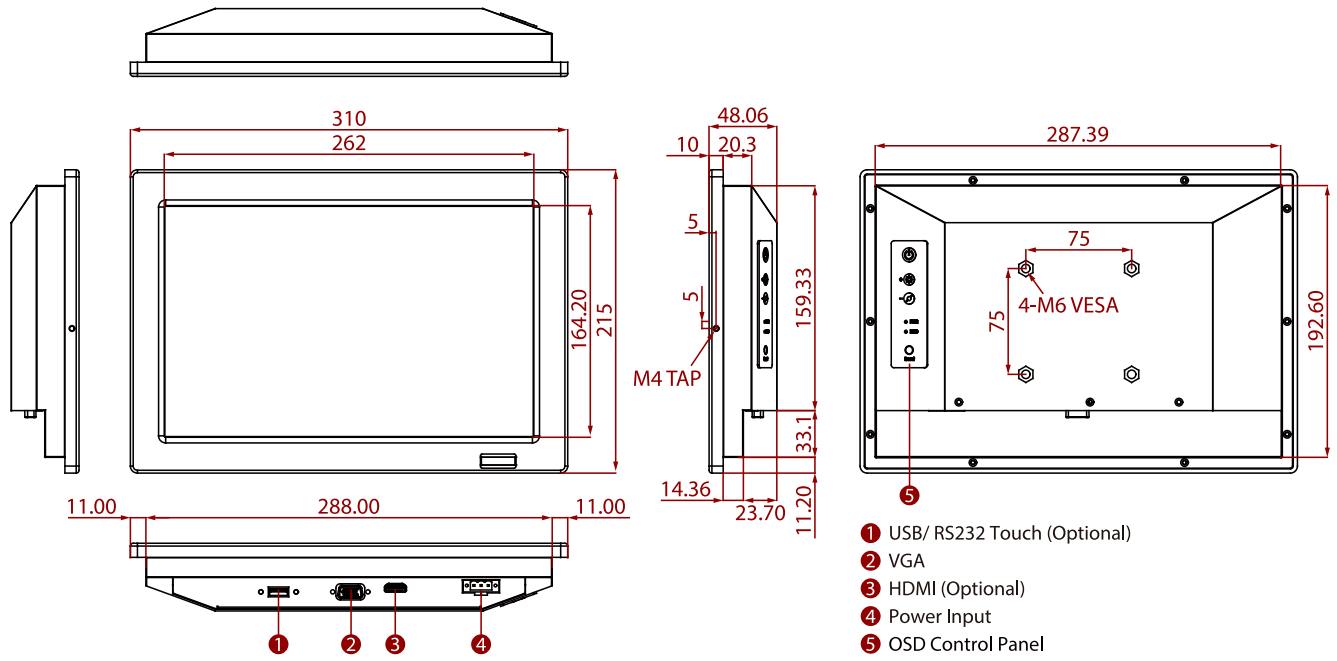


### SPECIFICATIONS

Display	
<b>Resolution</b>	1280x800
<b>Contrast Ratio</b>	1000:1
<b>Display Color</b>	16.2M Colors
<b>Touch / Glass</b>	Resistive Touch Screen Protection Glass w/o Touch Function (Optional)
<b>Size</b>	12.1 inches
<b>Panel Brightness</b>	400 nits
<b>View Angles</b>	88,88,88,88
Environment	
<b>Operating Humidity</b>	10% to 95% (Non-Condensing)
<b>Storage Temperature</b>	-30°C~70°C
<b>Vibration</b>	Operating: 1.60/1.96/2.18 g rms for XYZ / 5-500Hz
<b>Operating Temperature</b>	-10°C~55°C
<b>Shock</b>	Operating:30g for 18ms
Certification	
<b>Certification</b>	CE, FCC
IO Ports	
<b>USB Port</b>	1 x USB for Touch Screen (Optional)
<b>Serial Port</b>	1 x RS232 for Touch Screen (Optional)
<b>Video</b>	1 x VGA 1 x DVI (Optional) 1 x S-Video (Optional) 1 x Composite (Optional)
Accessory	
<b>Accessory</b>	User Manual(Hardcopy) Touch Driver CD 3 Pin Terminal Block AC Adapter Power Cord Mounting Bracket
Power	
<b>Power Rating</b>	9V~36V DC In Terminal Block
Control	
<b>Button</b>	5 Keys: - , + , Power , Esc , Enter

# DIMENSIONS UNIT:MM

## Winmate W12L100-VMM9



### NOTE

1. This is a simplified drawing and some components are not marked in detail.
2. The product shown in this datasheet is a standard model. For diagrams that contain customized or optional I/O, please contact the Winmate Sales Team for more information.
3. All specifications are subject to change without prior notice.